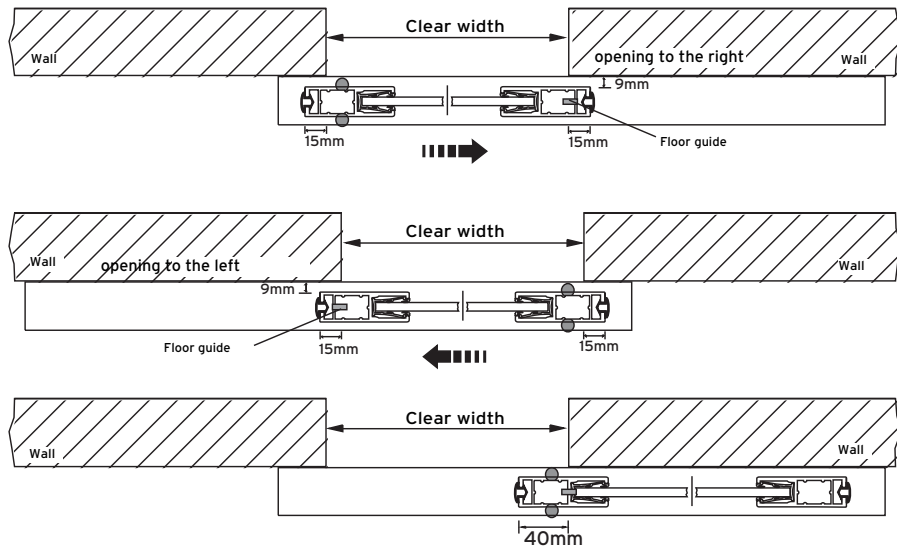
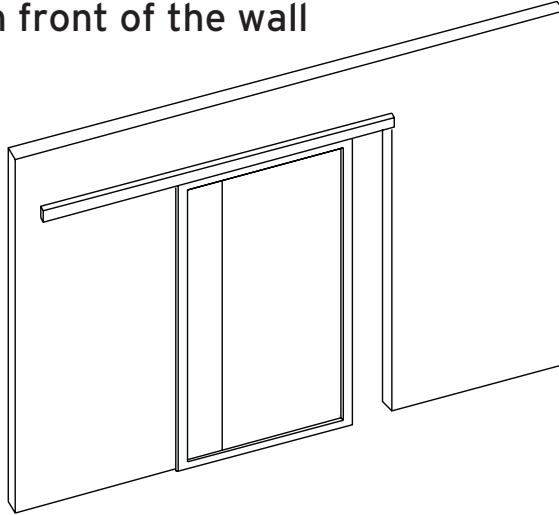
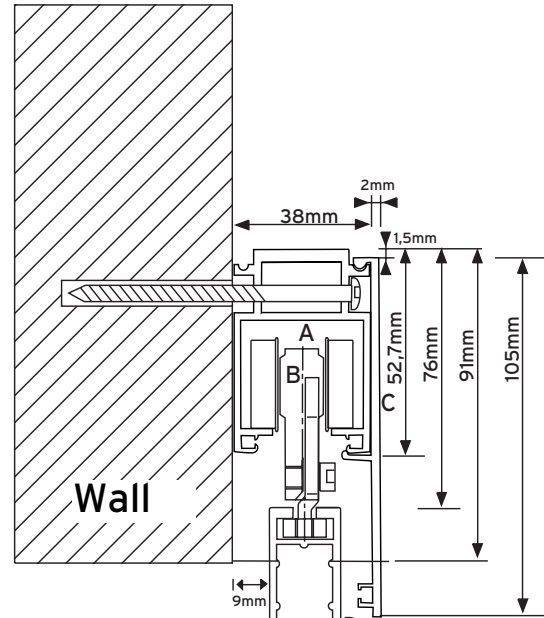


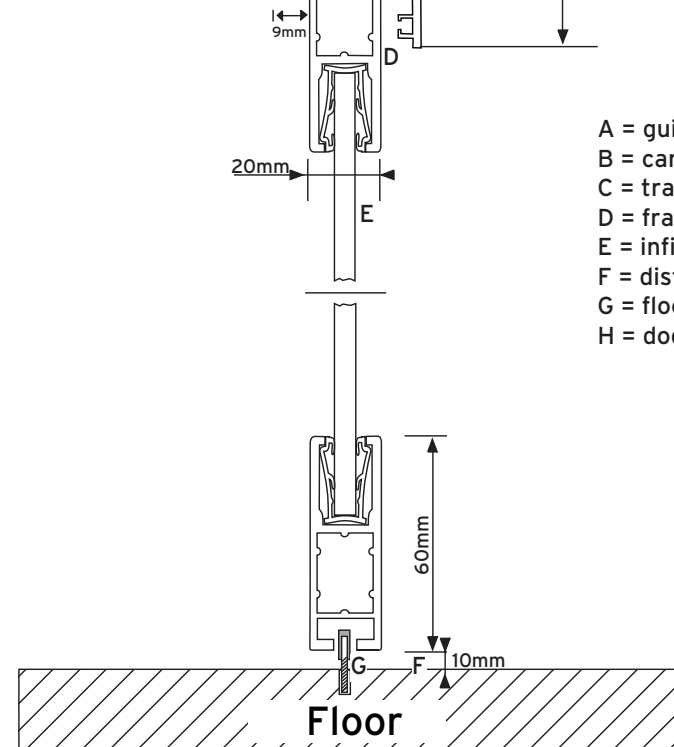
Sliding doors swing (suspension system)
single-leaf sliding in front of the wall
1 track (wall installation)



Calculation of leaves:
Clear width + 30 mm = Overall frame width
Clear height + 5 mm = Overall frame height

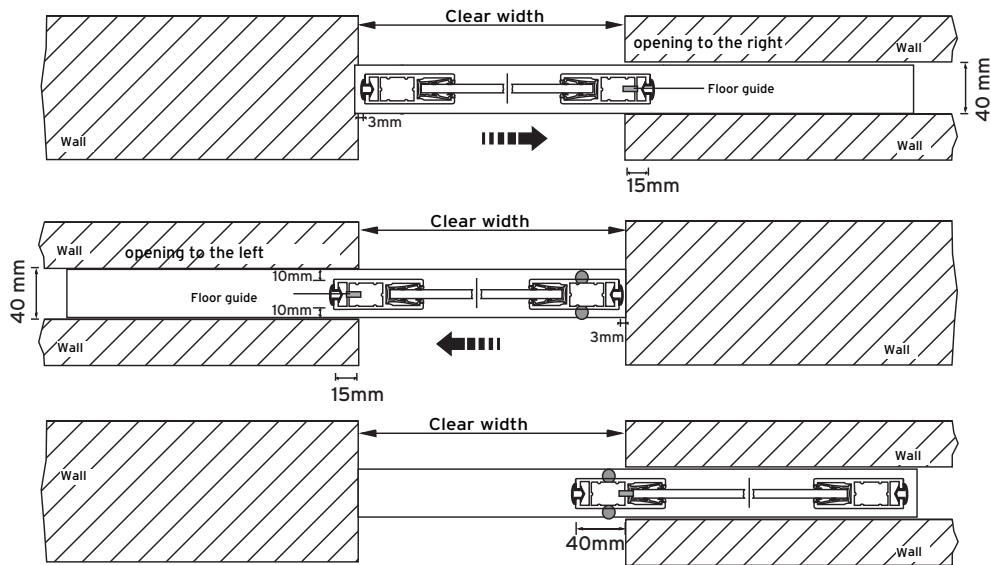
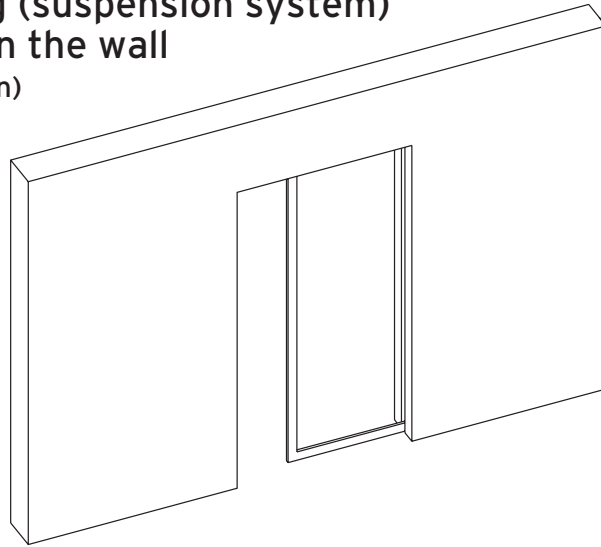


- A = guide rail
- B = carriage
- C = track pelmet
- D = frame profile
- E = infill panel
- F = distance to floor
- G = floor guide
- H = dog

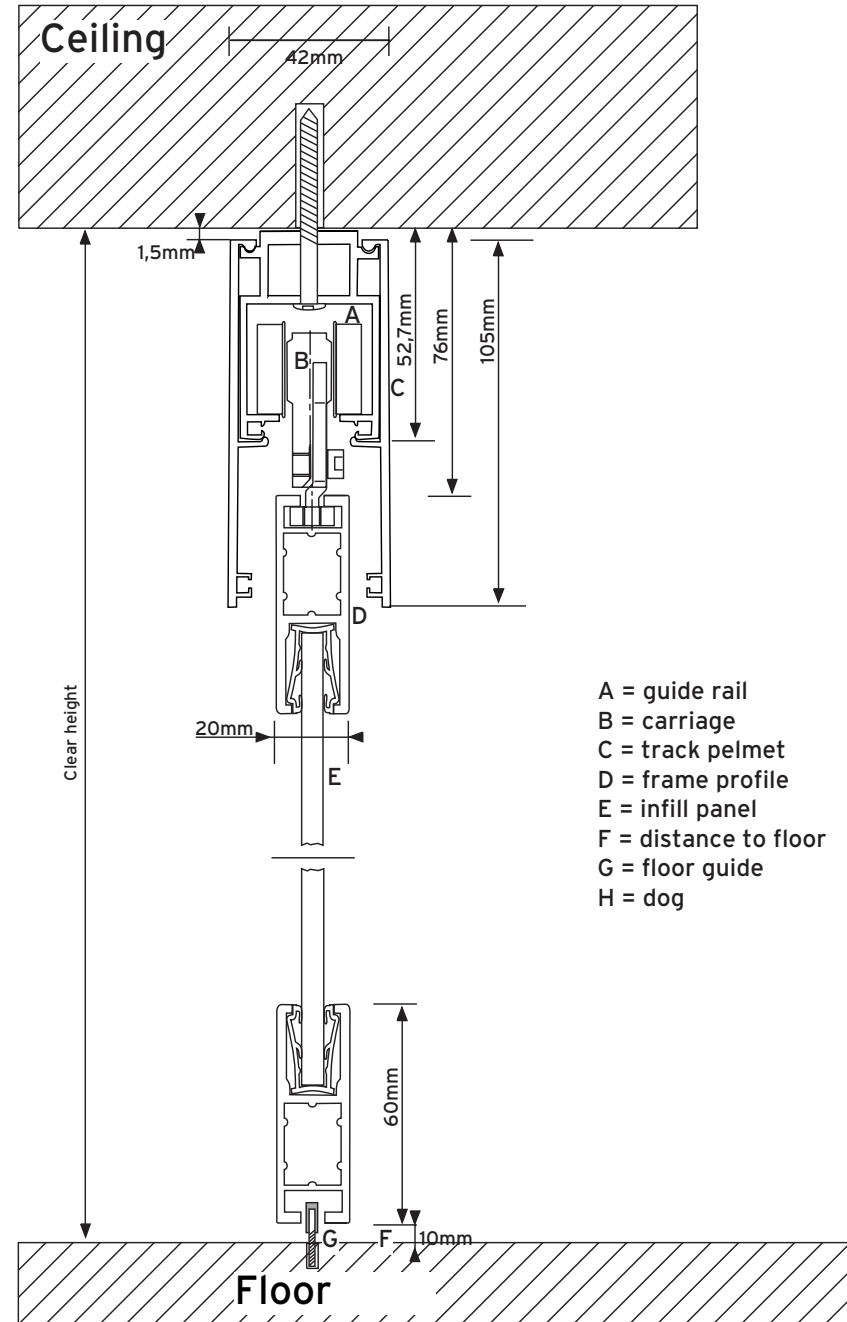


Sliding doors swing (suspension system) single-leaf sliding in the wall

1 track (ceiling installation)



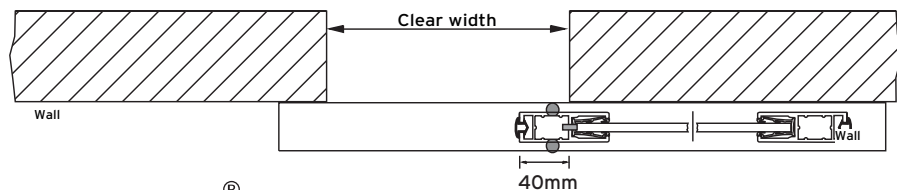
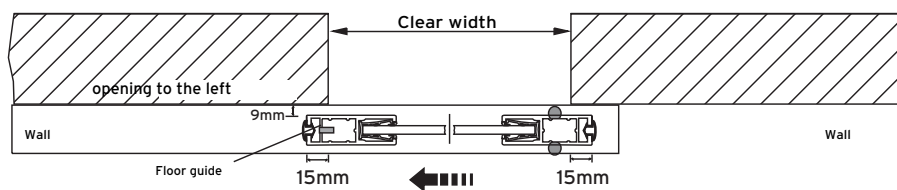
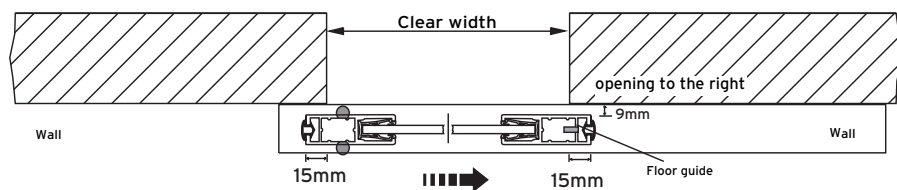
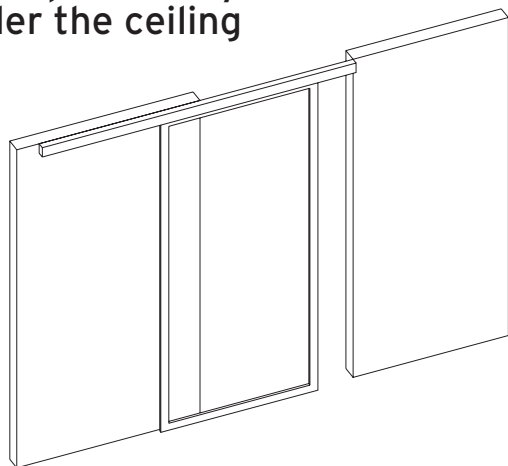
Calculation of leaves: $\text{Clear width} + 15 \text{ mm} =$
 $\text{Overall frame width}$ $\text{Clear height} - 86 \text{ mm} =$
 $\text{Overall frame height}$



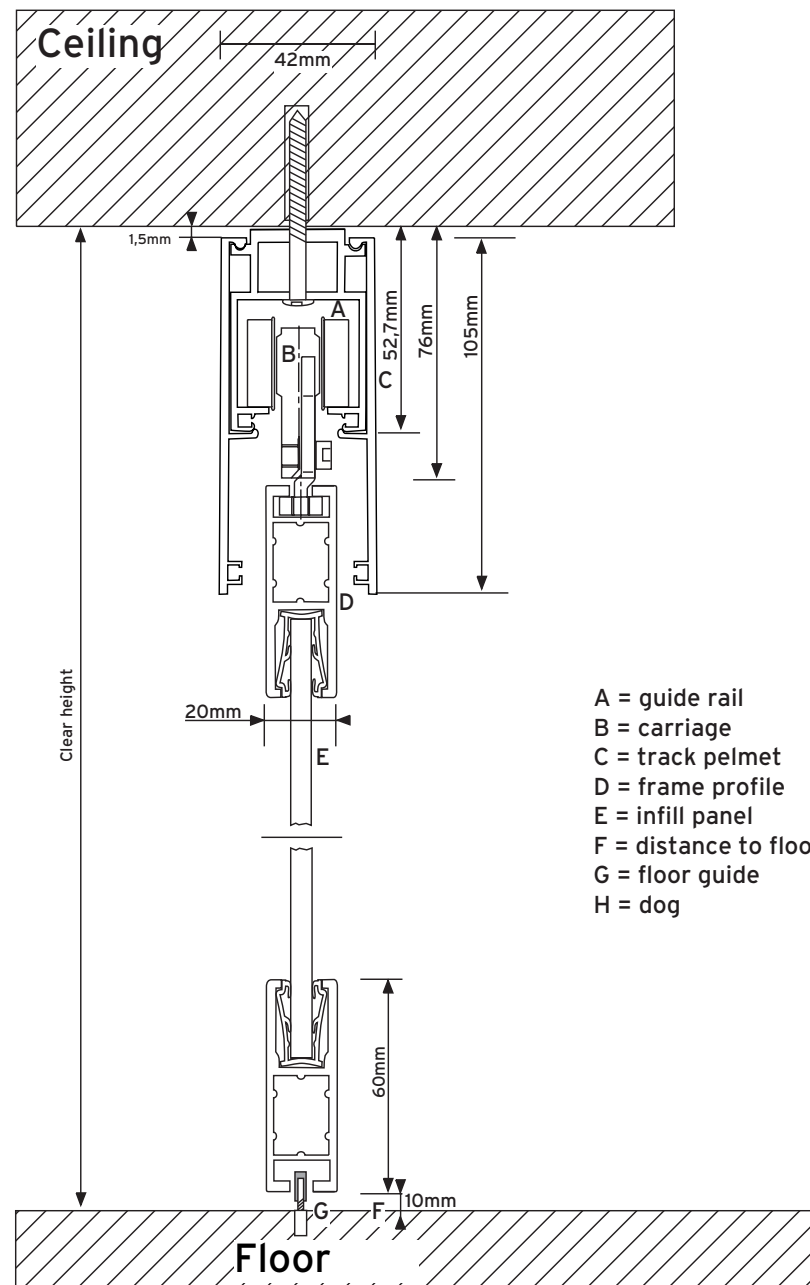
- A = guide rail
- B = carriage
- C = track pelmet
- D = frame profile
- E = infill panel
- F = distance to floor
- G = floor guide
- H = dog

Sliding doors swing (suspension system) single-leaf sliding under the ceiling

1 track (ceiling installation)

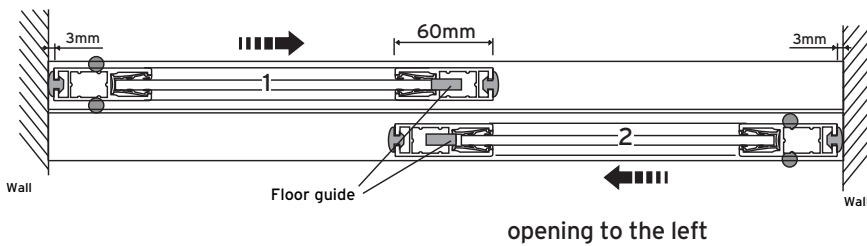
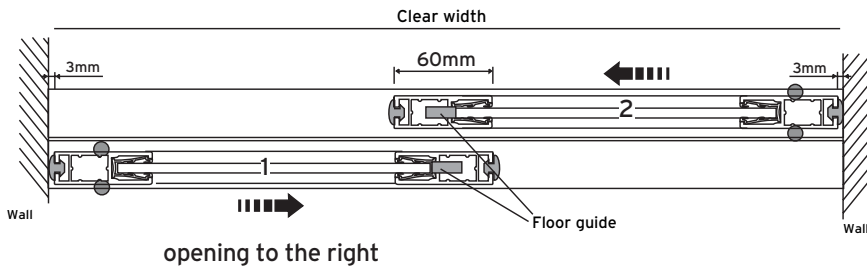
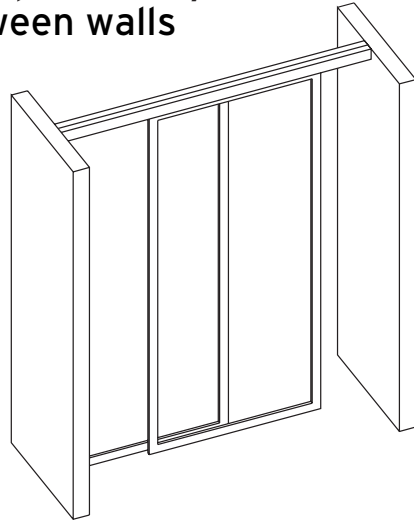


Calculation of leaves:
 Clear width + 30 mm = Overall frame width
 Clear height - 86 mm = Overall frame height

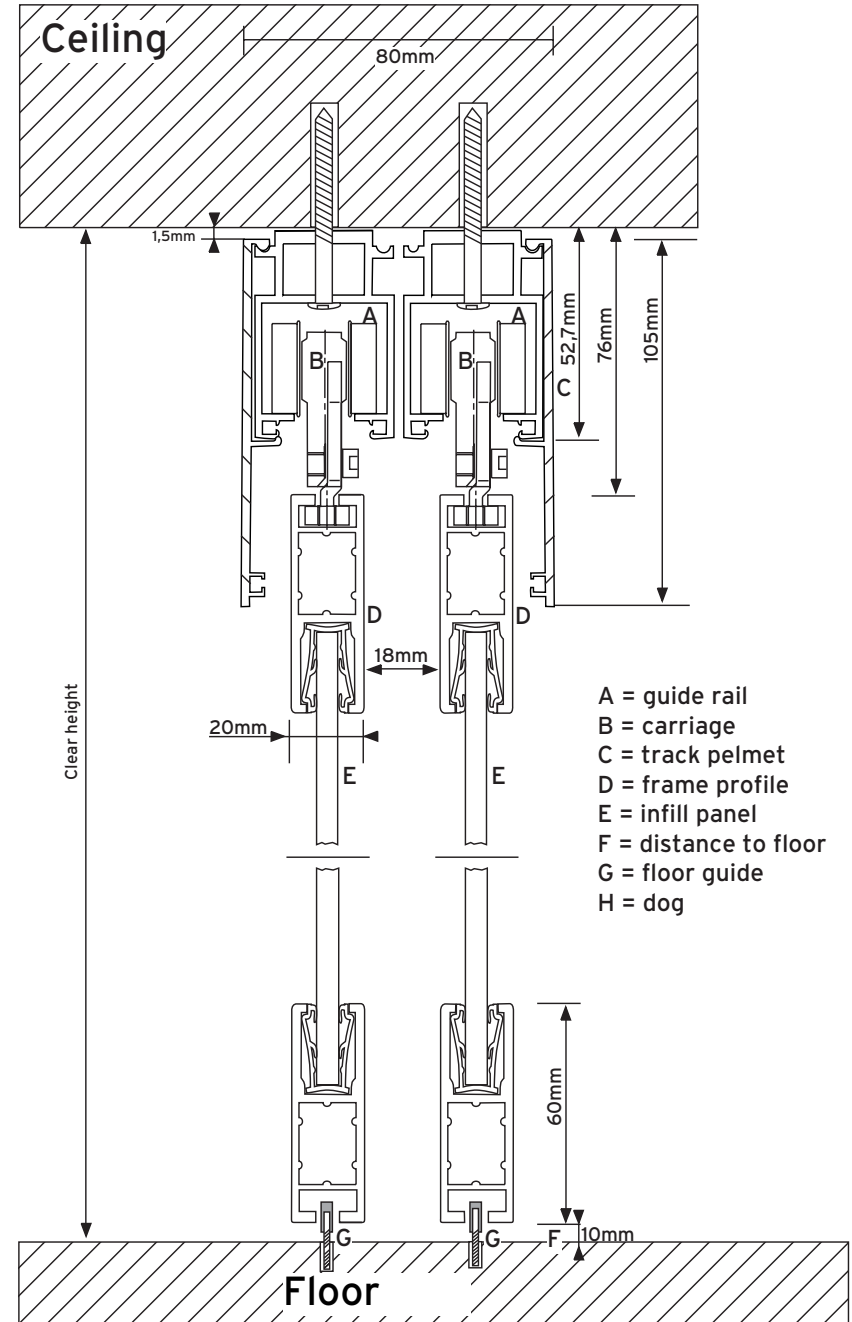


- A = guide rail
- B = carriage
- C = track pelmet
- D = frame profile
- E = infill panel
- F = distance to floor
- G = floor guide
- H = dog

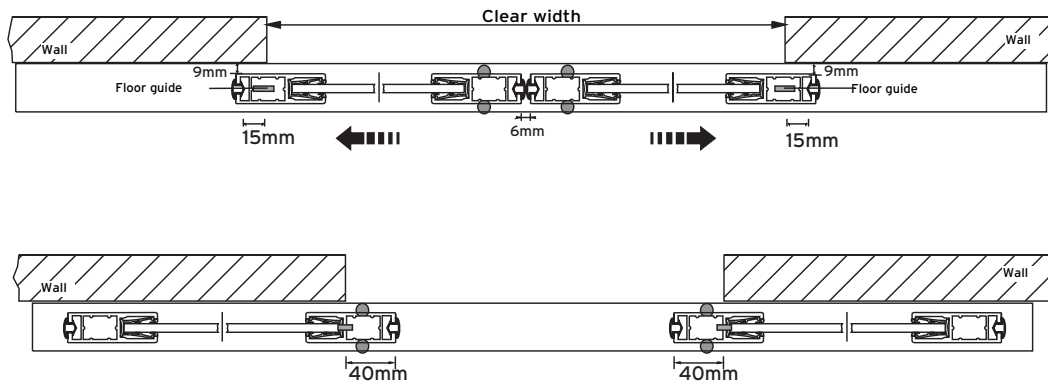
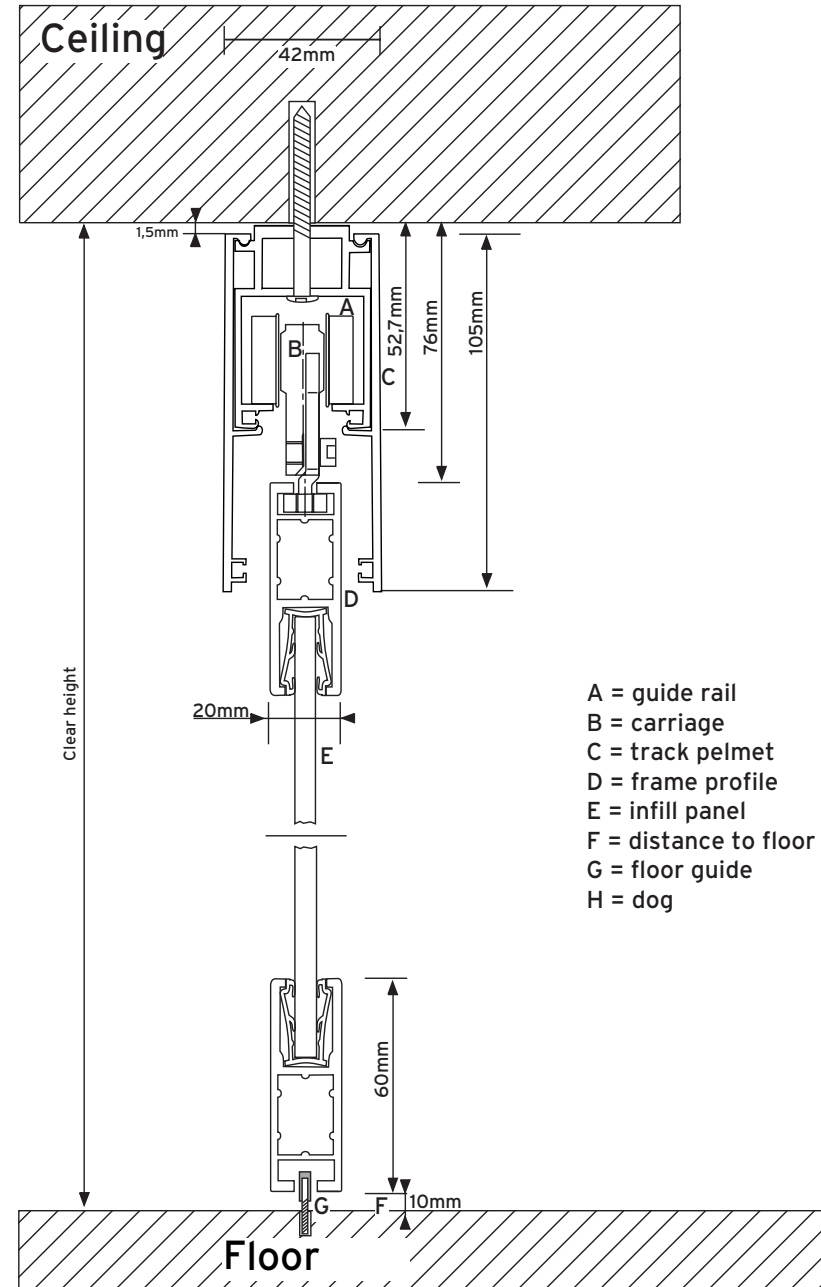
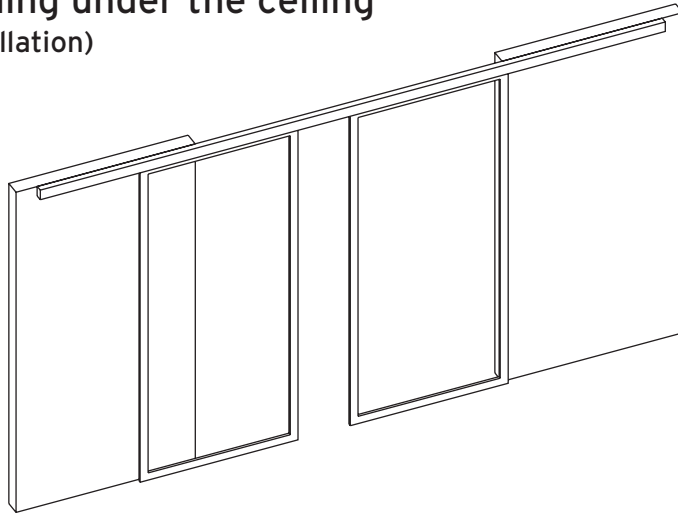
Sliding doors swing (suspension system)
 double-leaf sliding between walls
 2 tracks (ceiling installation)



Calculation of leaves:
 Clear width + 54 mm : 2 = Overall frame width
 Clear height - 86 mm = Overall frame height



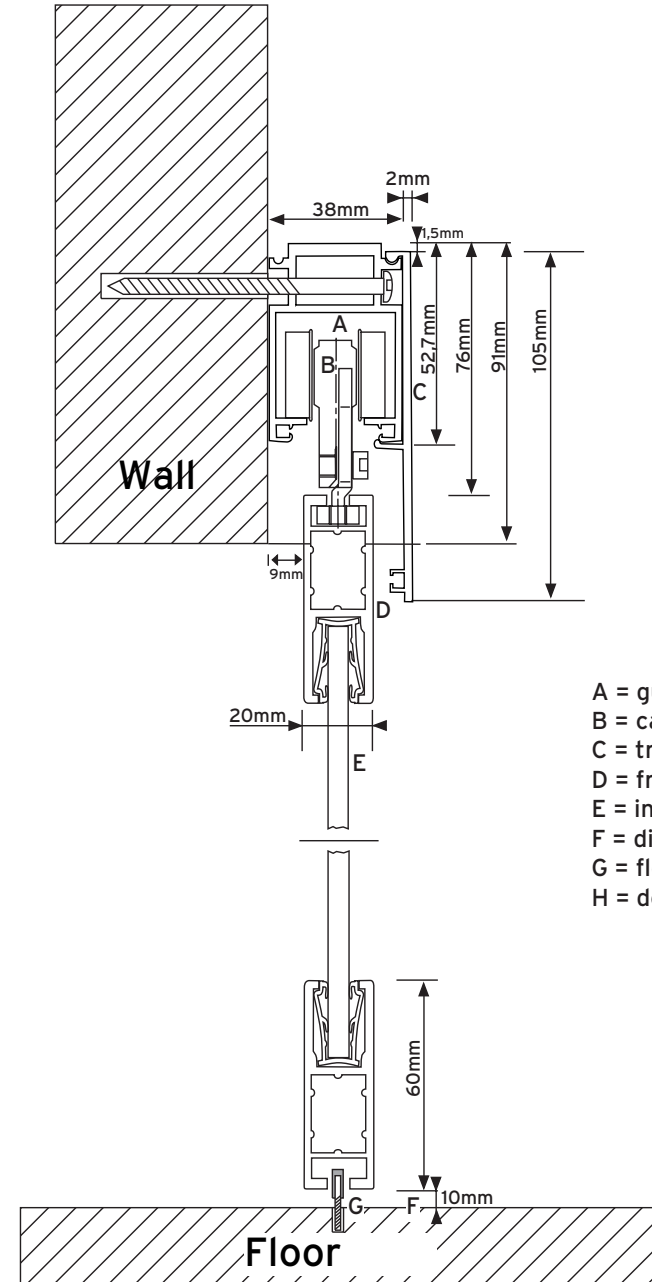
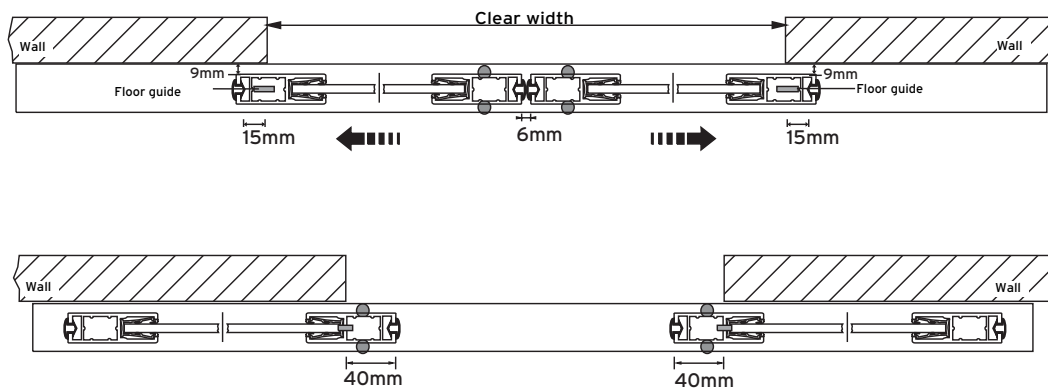
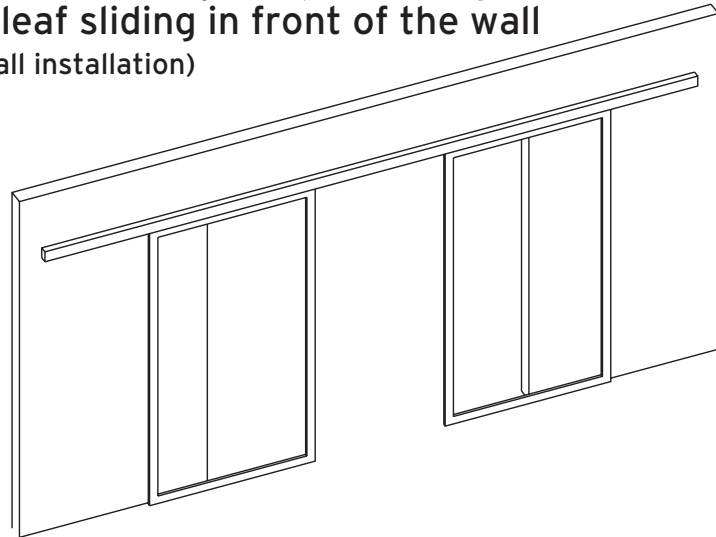
Sliding doors swing (suspension system)
 double-leaf sliding under the ceiling
 1 track (ceiling installation)



Calculation of leaves:
 Clear width + 24 mm : 2 = Overall frame width
 Clear height - 86 mm = Overall frame height

Sliding doors swing (suspension system) double-leaf sliding in front of the wall

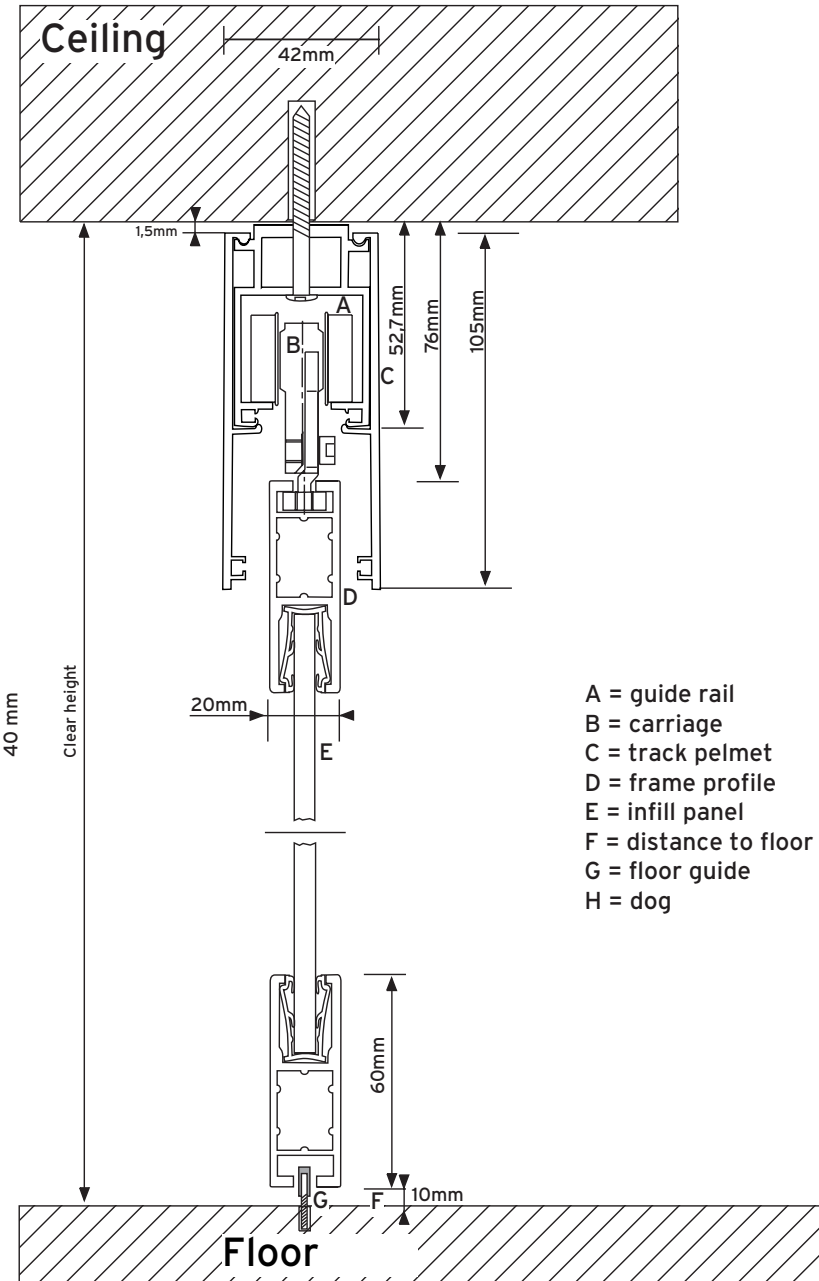
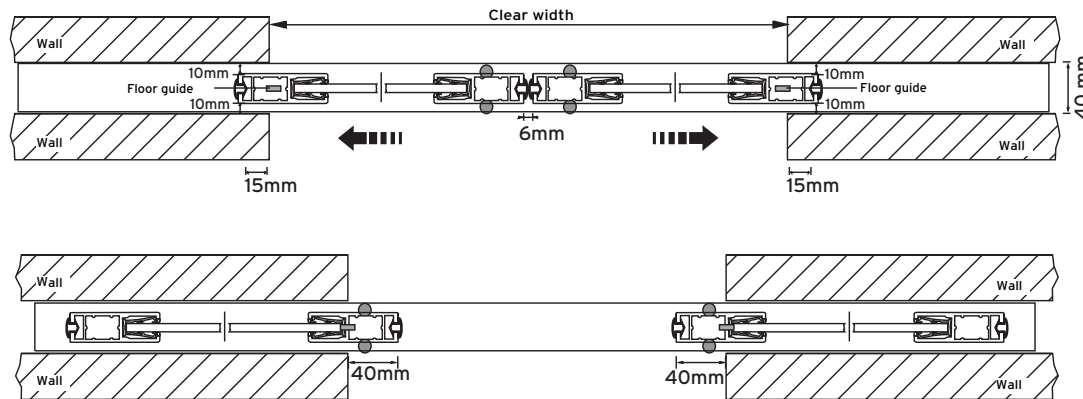
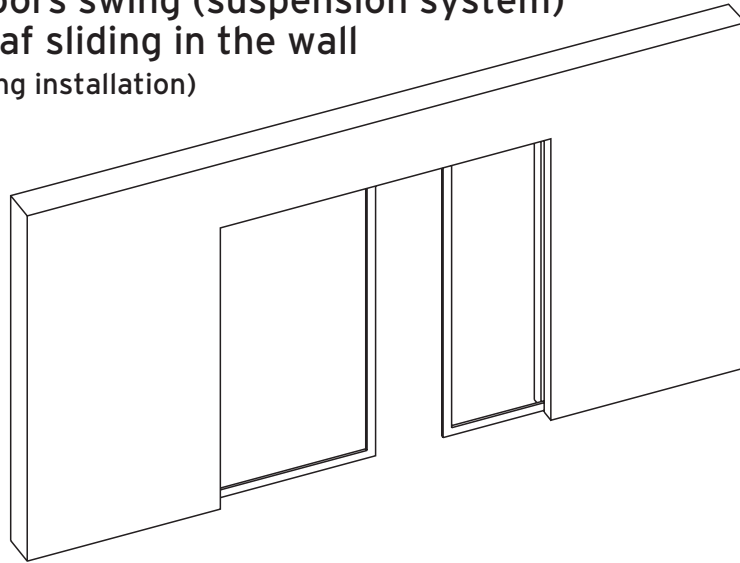
1 track (wall installation)



- A = guide rail
- B = carriage
- C = track pelmet
- D = frame profile
- E = infill panel
- F = distance to floor
- G = floor guide
- H = dog

Calculation of leaves:
 $\text{Clear width} + 24 \text{ mm} : 2 = \text{Overall frame width}$
 $\text{Clear height} + 5 \text{ mm} = \text{Overall frame height}$

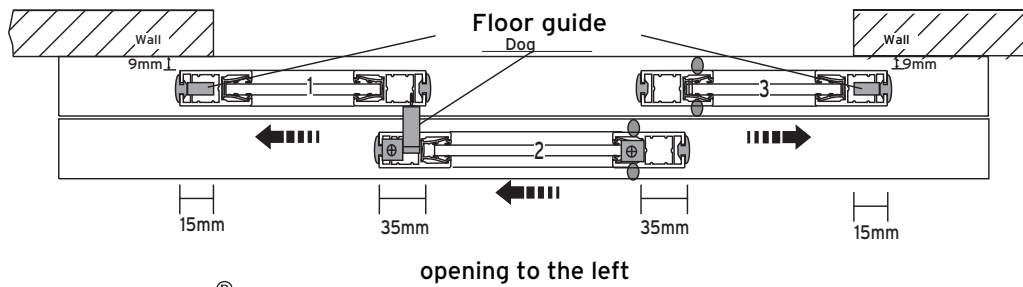
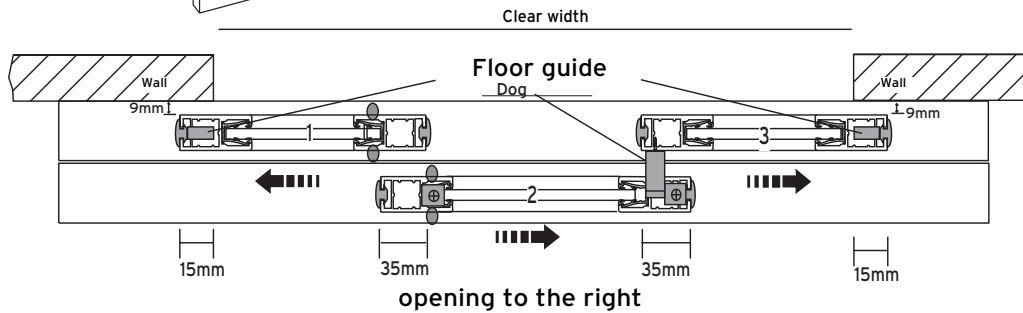
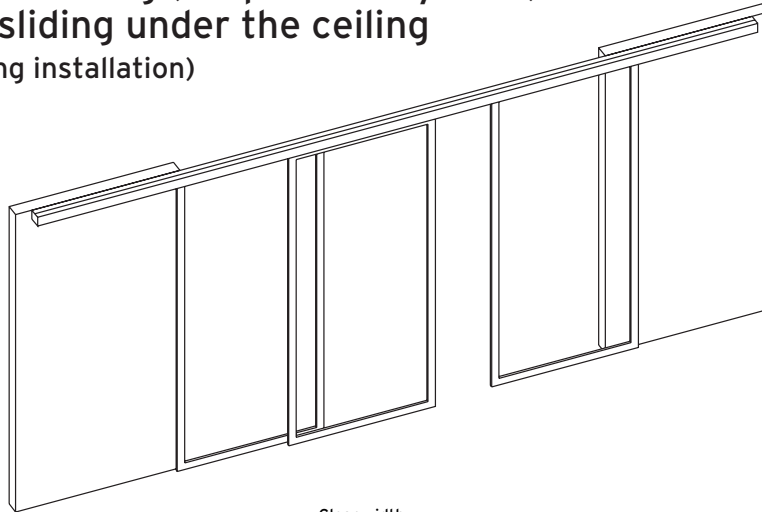
Sliding doors swing (suspension system)
 double-leaf sliding in the wall
 1 track (ceiling installation)



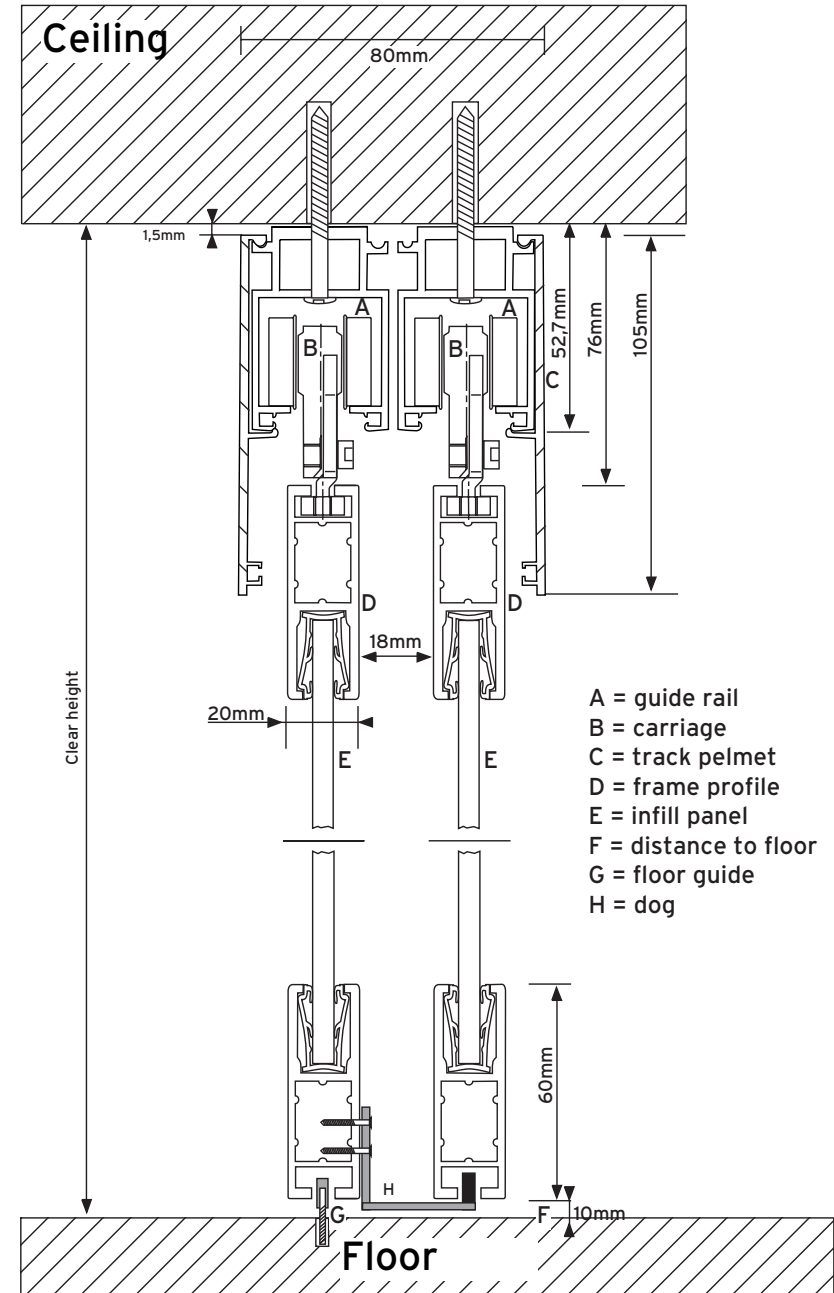
- A = guide rail
- B = carriage
- C = track pelmet
- D = frame profile
- E = infill panel
- F = distance to floor
- G = floor guide
- H = dog

Calculation of leaves:
 Clear width + 24 mm : 2 = Overall frame width
 Clear height - 86 mm = Overall frame height

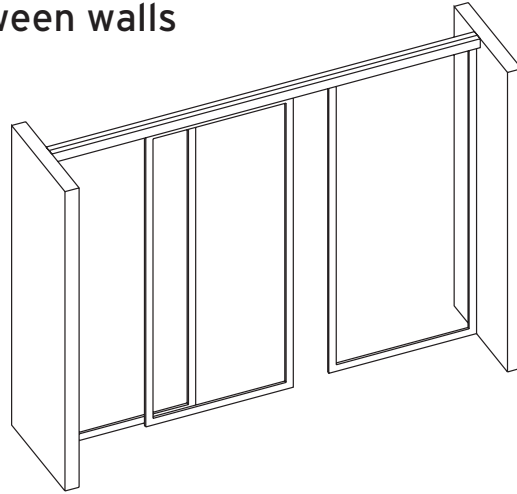
Sliding doors swing (suspension system)
 three-leaf sliding under the ceiling
 2 tracks (ceiling installation)



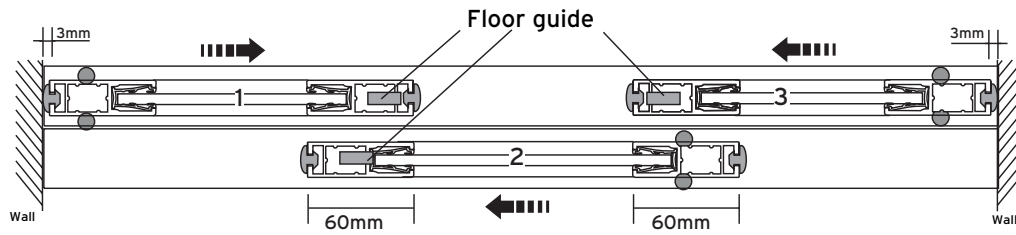
Calculation of leaves:
 Clear width + 100 mm : 3 = Overall frame width
 Clear height - 86 mm = Overall frame height



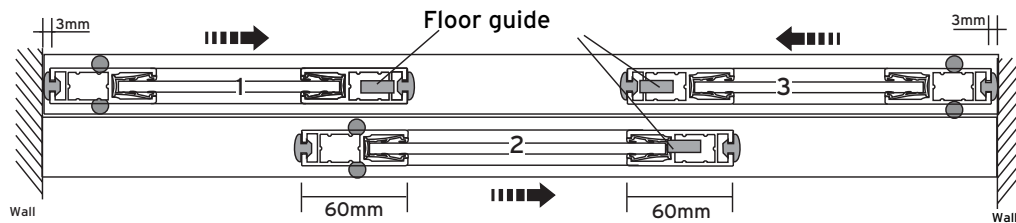
Sliding doors swing (suspension system)
 three-leaf sliding between walls
 2 tracks (ceiling installation)



Clear width

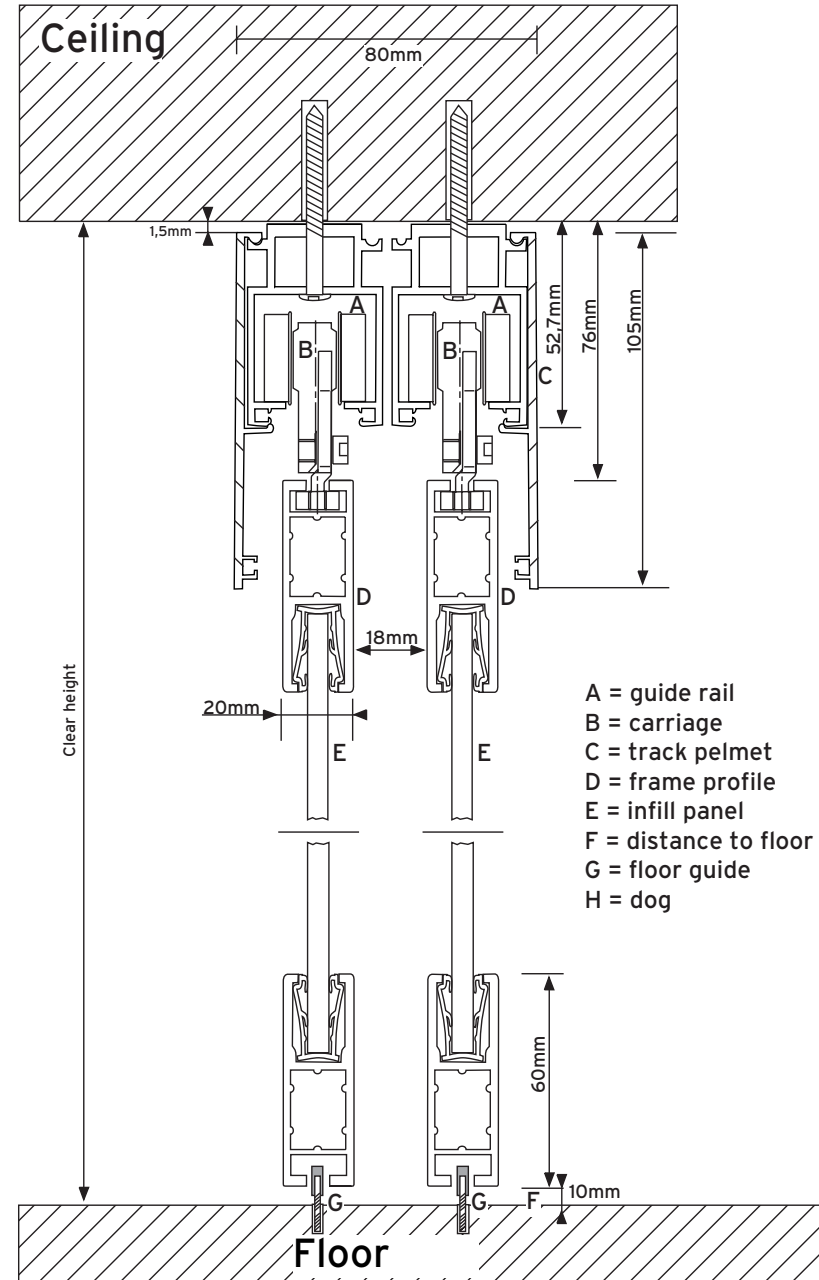


opening to the right



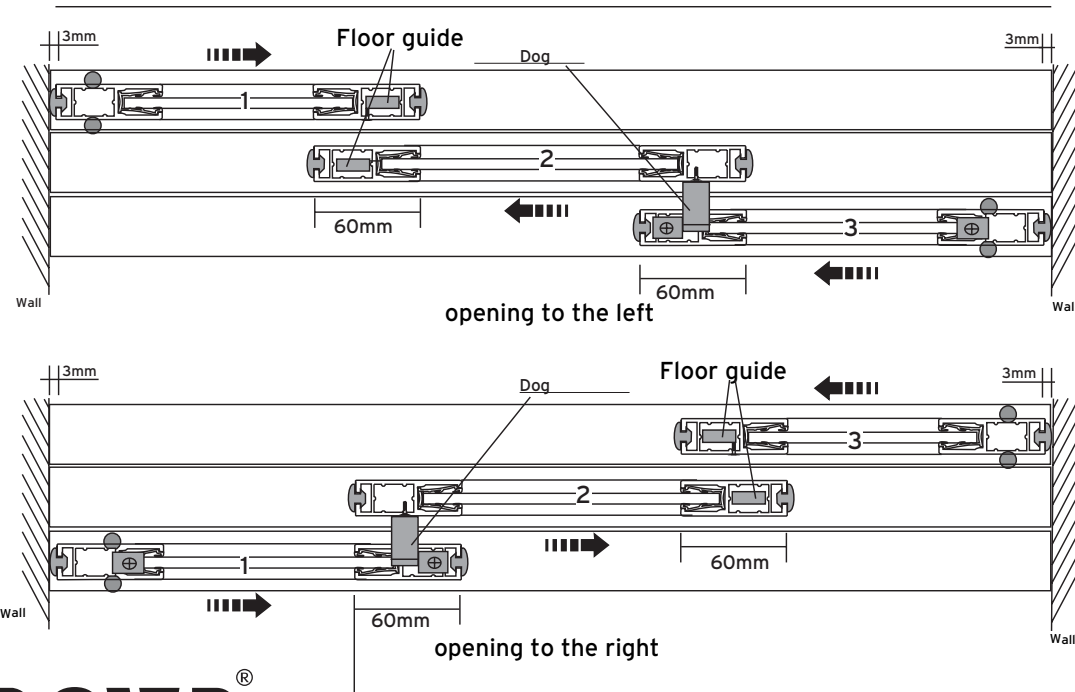
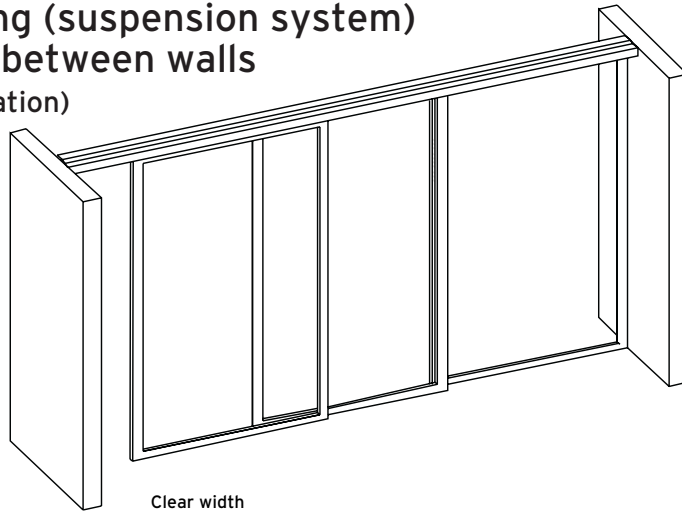
opening to the left

Calculation of leaves:
 Clear width + 114 mm : 3 = Overall frame width
 Clear height - 86mm = Overall frame height

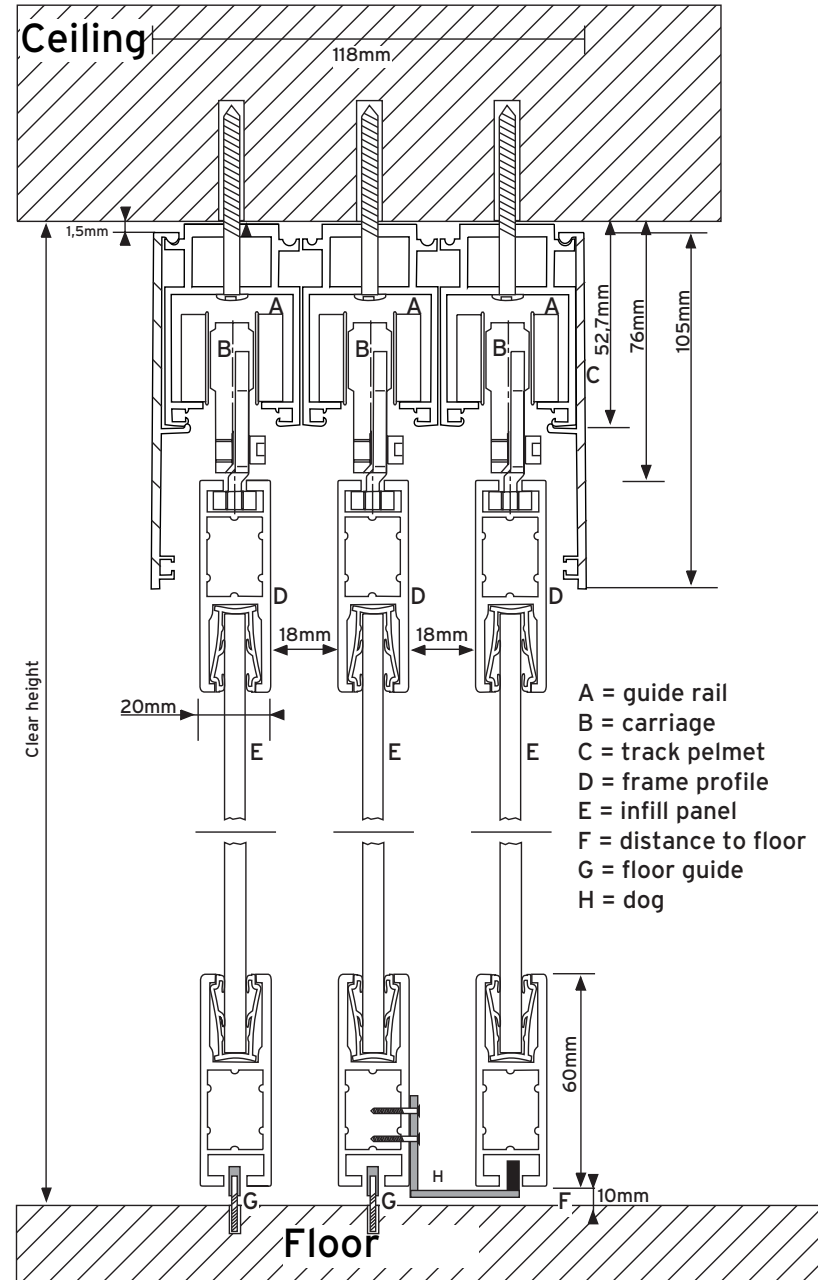


- A = guide rail
- B = carriage
- C = track pelmet
- D = frame profile
- E = infill panel
- F = distance to floor
- G = floor guide
- H = dog

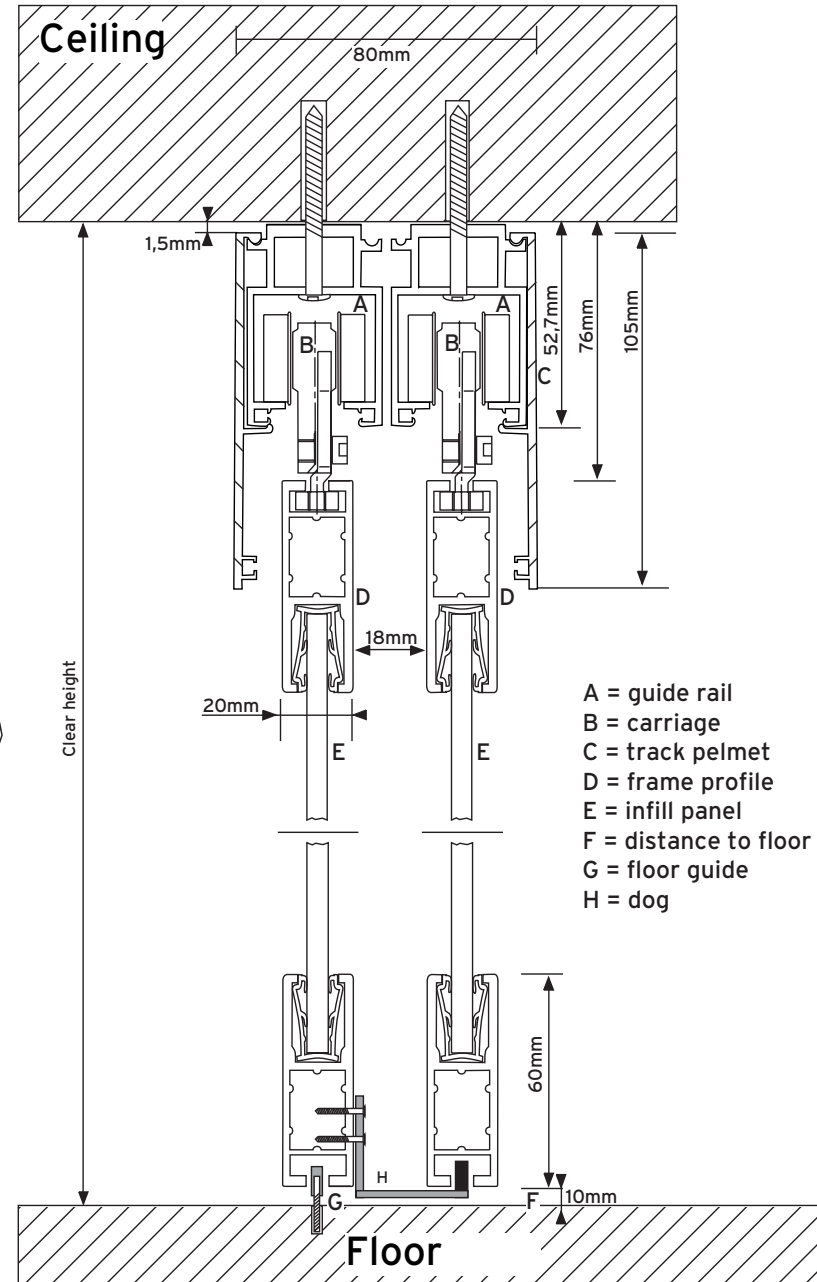
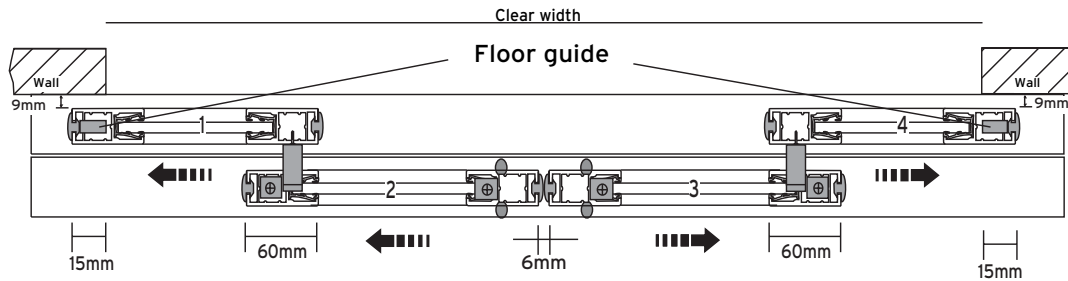
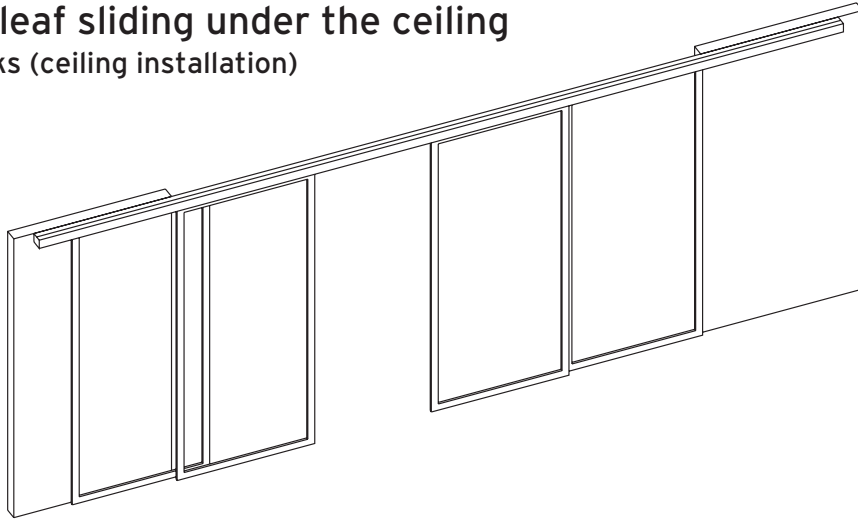
Sliding doors swing (suspension system)
 three-leaf sliding between walls
 3 tracks (ceiling installation)



Calculation of leaves:
 Clear width + 114 mm : 3 = Overall frame width
 Clear height - 86 mm = Overall frame height

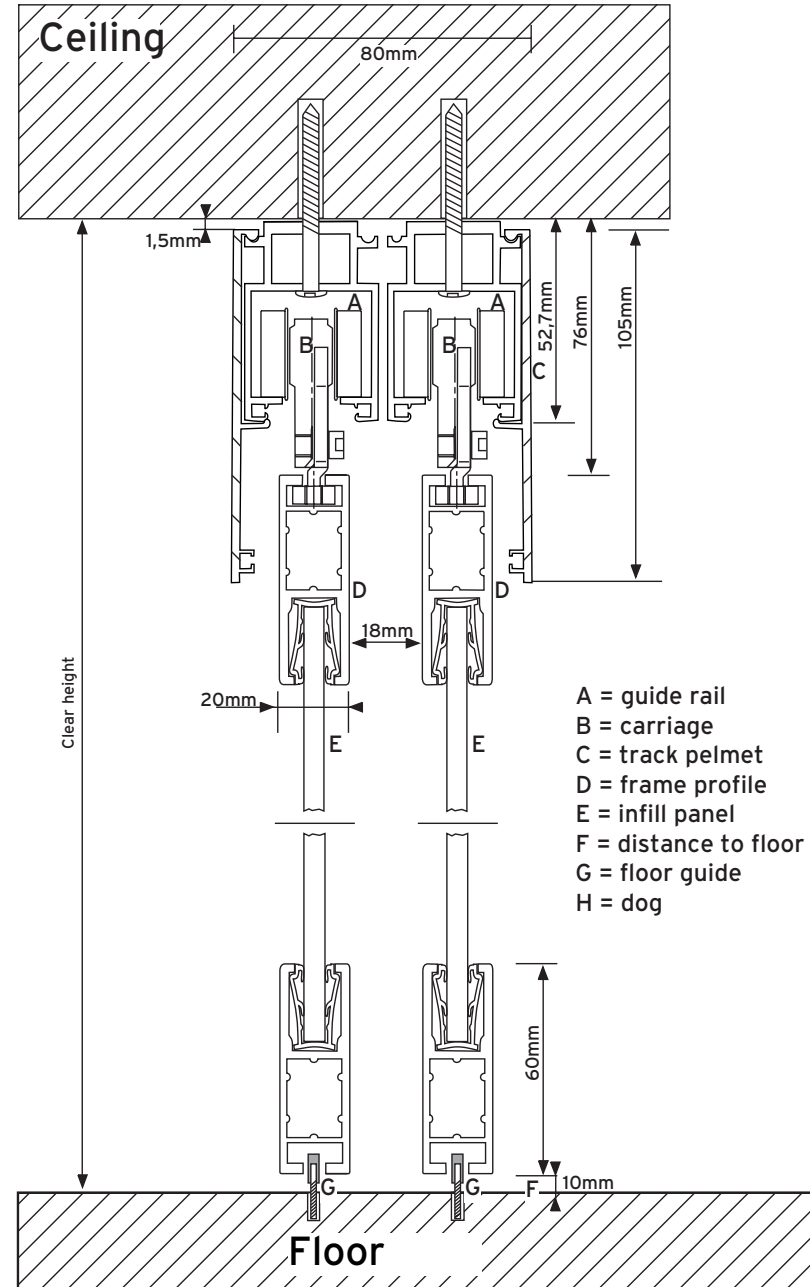
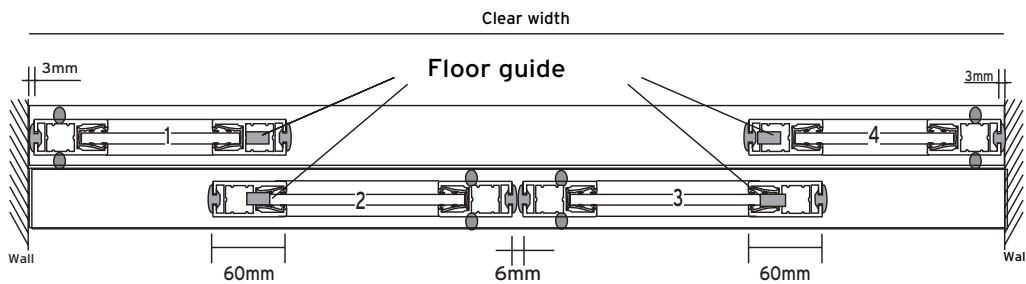
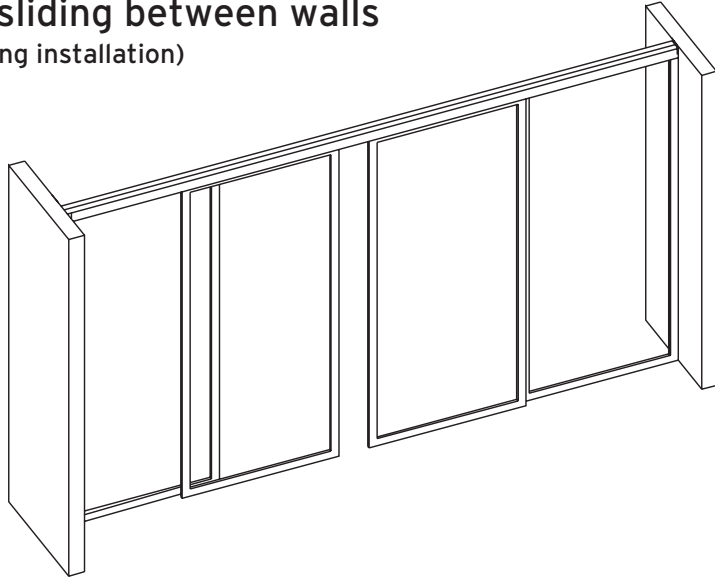


Sliding doors swing (suspension system)
 four-leaf sliding under the ceiling
 2 tracks (ceiling installation)



Calculation of leaves:
 Clear width + 144 mm : 4 = Overall frame width
 Clear height - 86 mm = Overall frame height

Sliding doors swing (suspension system)
 four-leaf sliding between walls
 2 tracks (ceiling installation)



- A = guide rail
- B = carriage
- C = track pelmet
- D = frame profile
- E = infill panel
- F = distance to floor
- G = floor guide
- H = dog

Calculation of leaves:
 Clear width + 108 mm : 4 = Overall frame width
 Clear height - 86 mm = Overall frame height