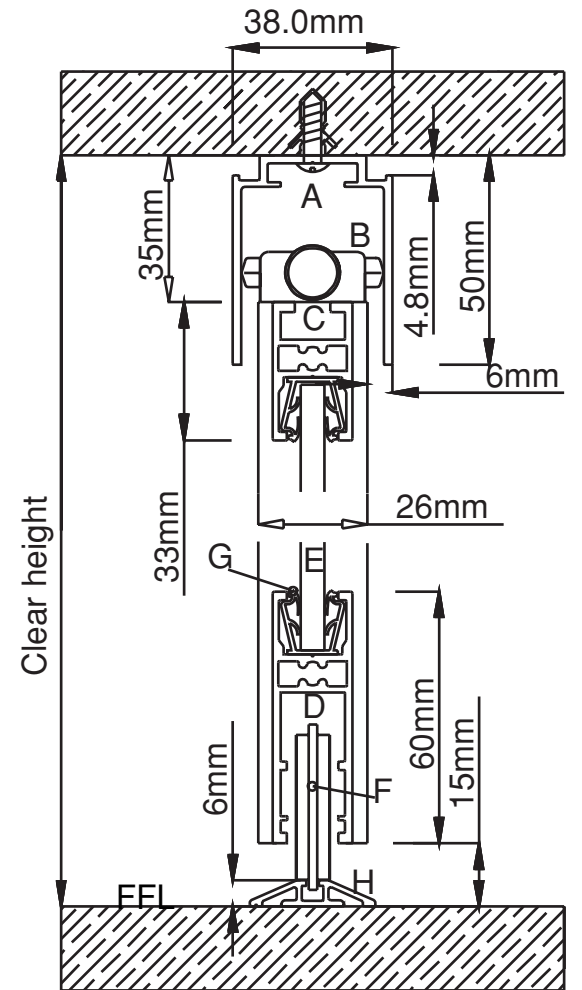
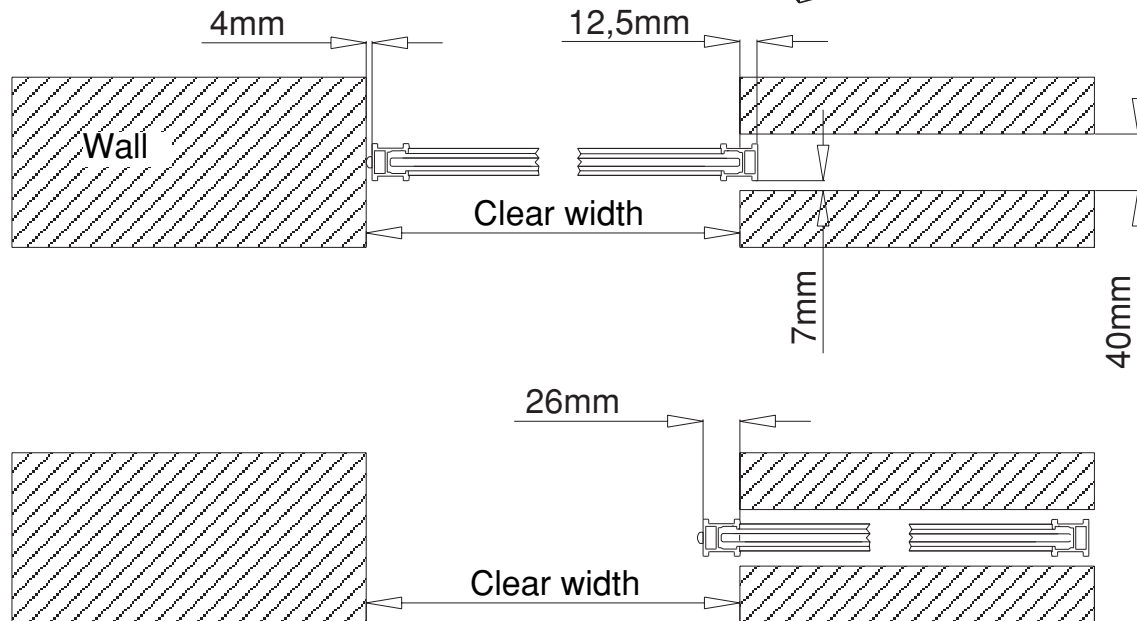
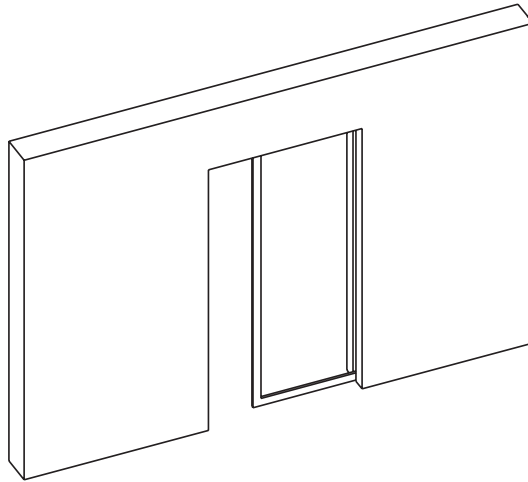


**Sliding doors focus (floor system)**  
**single-leaf sliding in the wall**  
 1 track (ceiling installation)

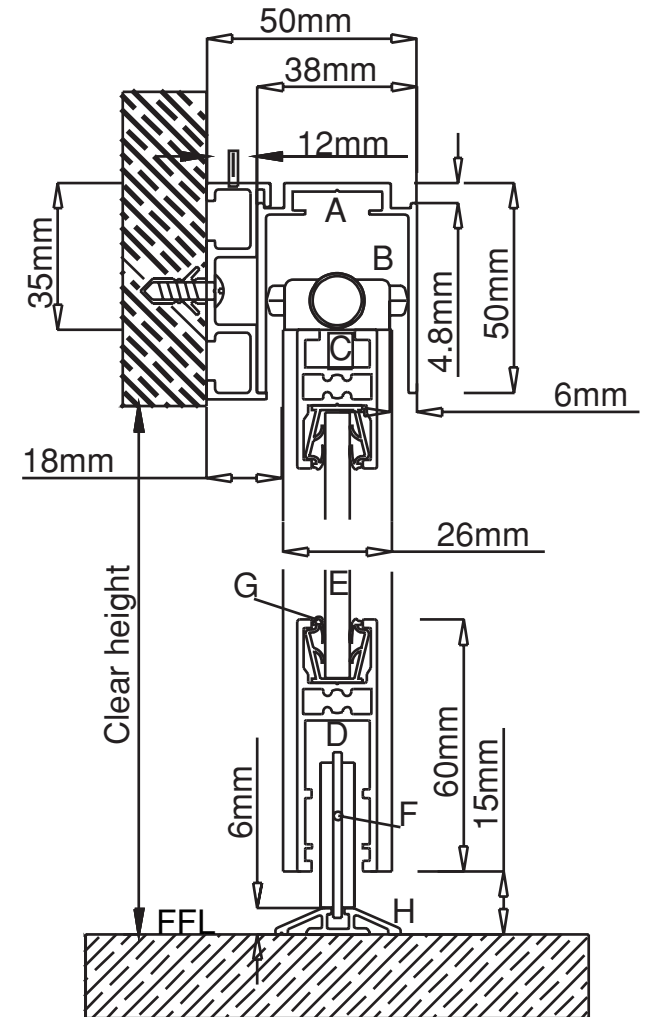
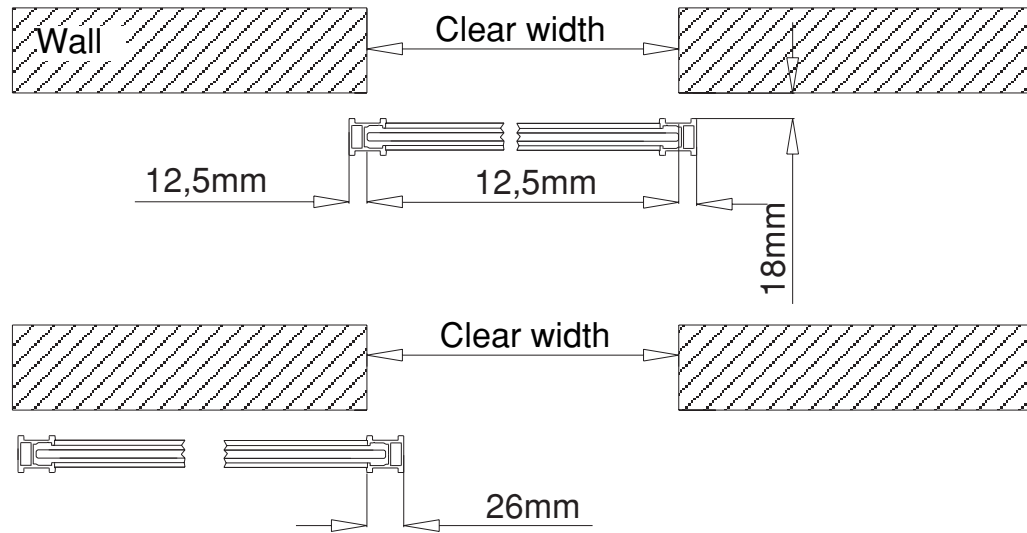
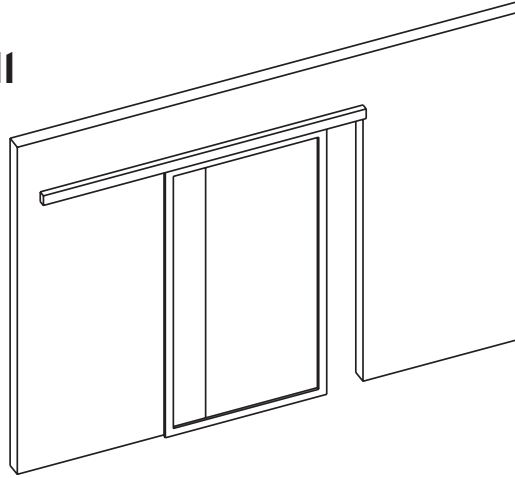


- A. Guide rail
- B. Guide rollers
- C. Horizontal profile
- D. Bottom horizontal profile
- E. Infill panel
- F. Height-adjustable track rollers
- G. Infill retaining profile
- H. Floor rail
- I. Wall distance profile

Calculation of leaves:  
 Clear width + 12 mm = Overall frame width  
 Clear height - 50 mm = Overall frame height

Calculation of track:  
 Leaf width x 2 = Guide rail / floor rail length

**Sliding doors focus (floor system)**  
**single-leaf sliding in front of the wall**  
 1 track (ceiling installation)

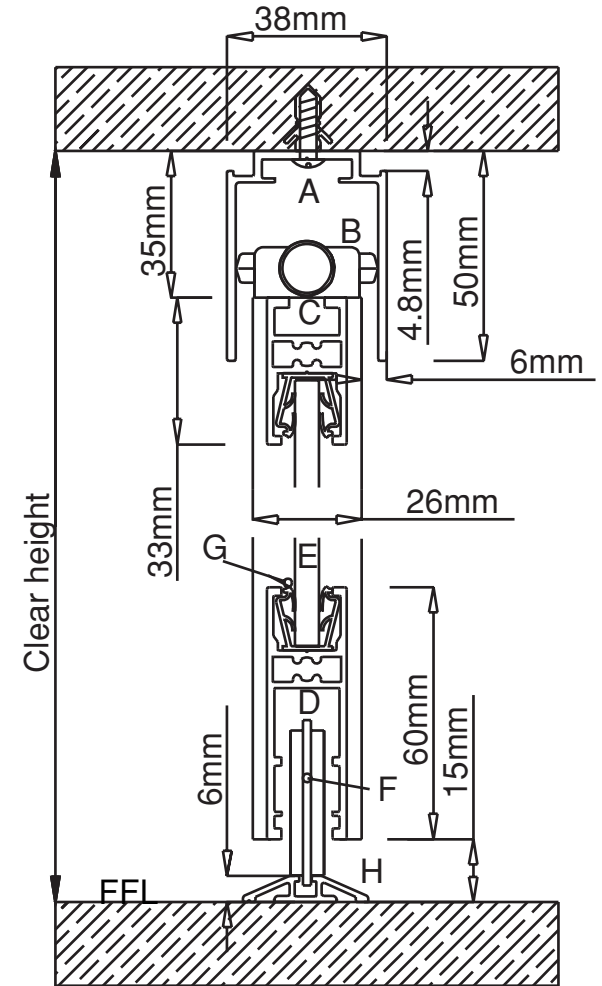
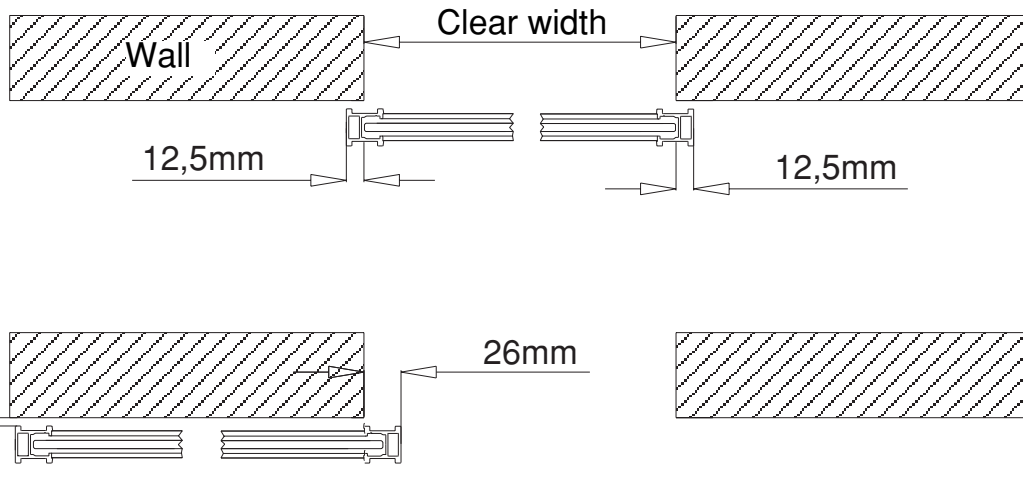
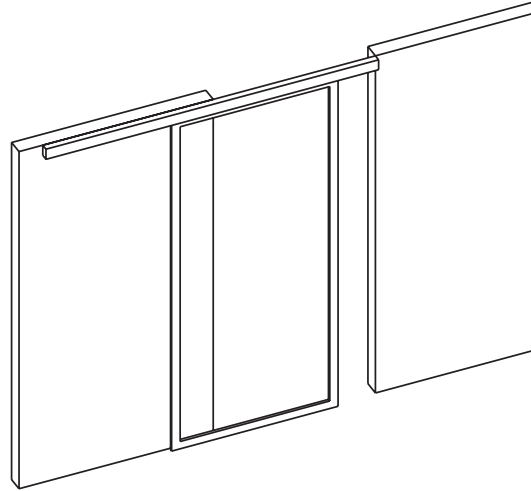


- A. Guide rail
- B. Guide rollers
- C. Horizontal profile
- D. Bottom horizontal profile
- E. Infill panel
- F. Height-adjustable track rollers
- G. Infill retaining profile
- H. Floor rail
- I. Wall distance profile

Calculation of leaves:  
 Clear width + 25 mm = Overall frame width  
 Clear height - 3 mm = Overall frame height

Calculation of track:  
 Leaf width x 2 + 50 = Guide rail / floor rail length

**Sliding doors focus (floor system)  
single-leaf sliding under the ceiling  
1 track (ceiling installation)**

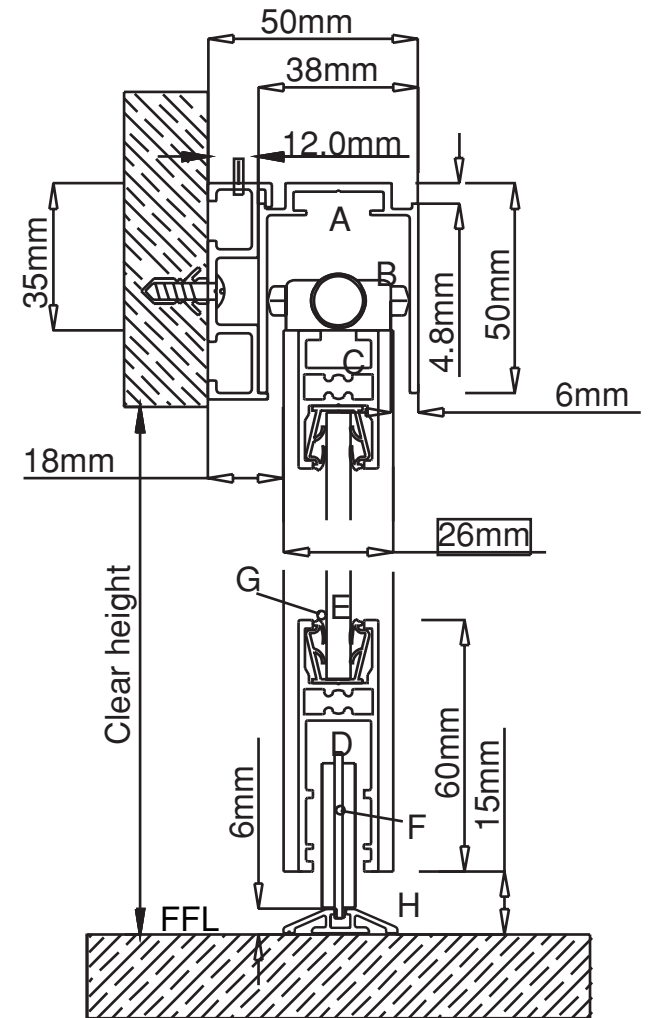
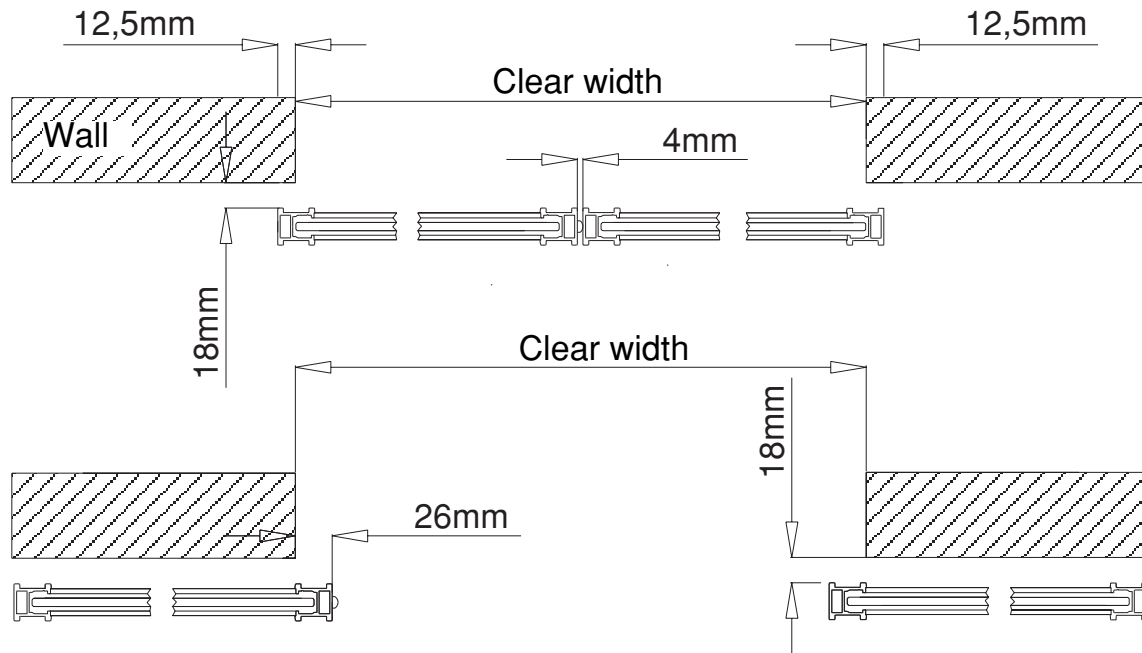
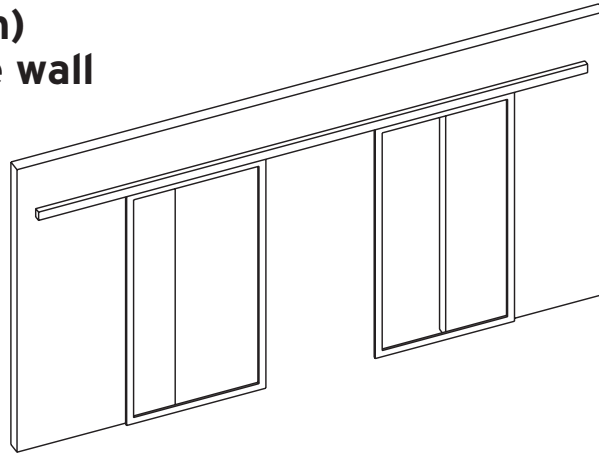


- A. Guide rail
- B. Guide rollers
- C. Horizontal profile
- D. Bottom horizontal profile
- E. Infill panel
- F. Height-adjustable track rollers
- G. Infill retaining profile
- H. Floor rail
- I. Wall distance profile

Calculation of leaves:  
 Clear width + 25 mm = Overall frame width  
 Clear height - 50 mm = Overall frame height

Calculation of track:  
 Leaf width x 2 + 50 = Guide rail / floor rail length

**Sliding doors focus (floor system)**  
**double-leaf sliding in front of the wall**  
**1 track (wall installation)**

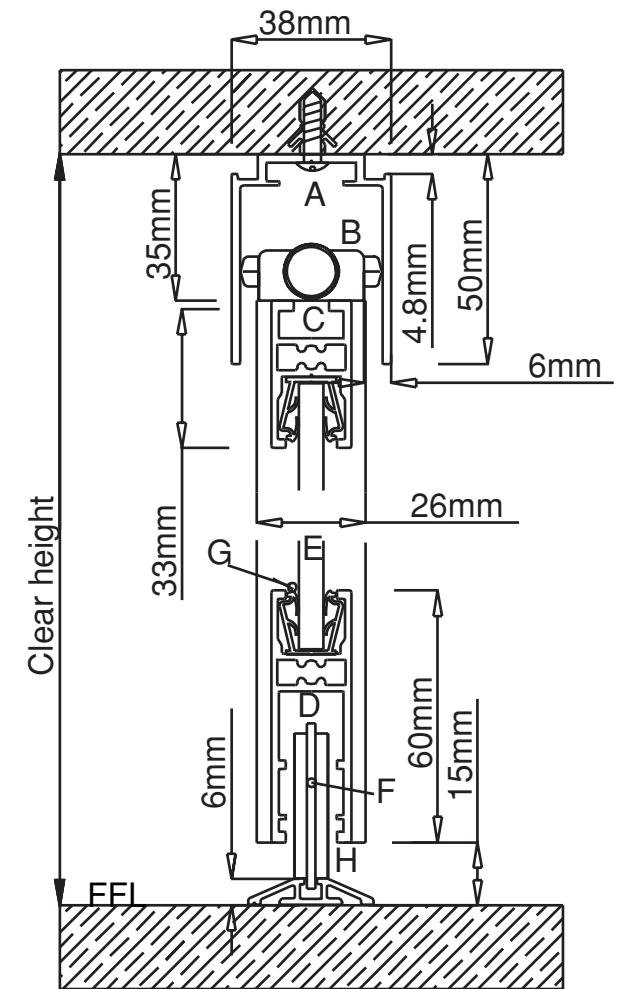
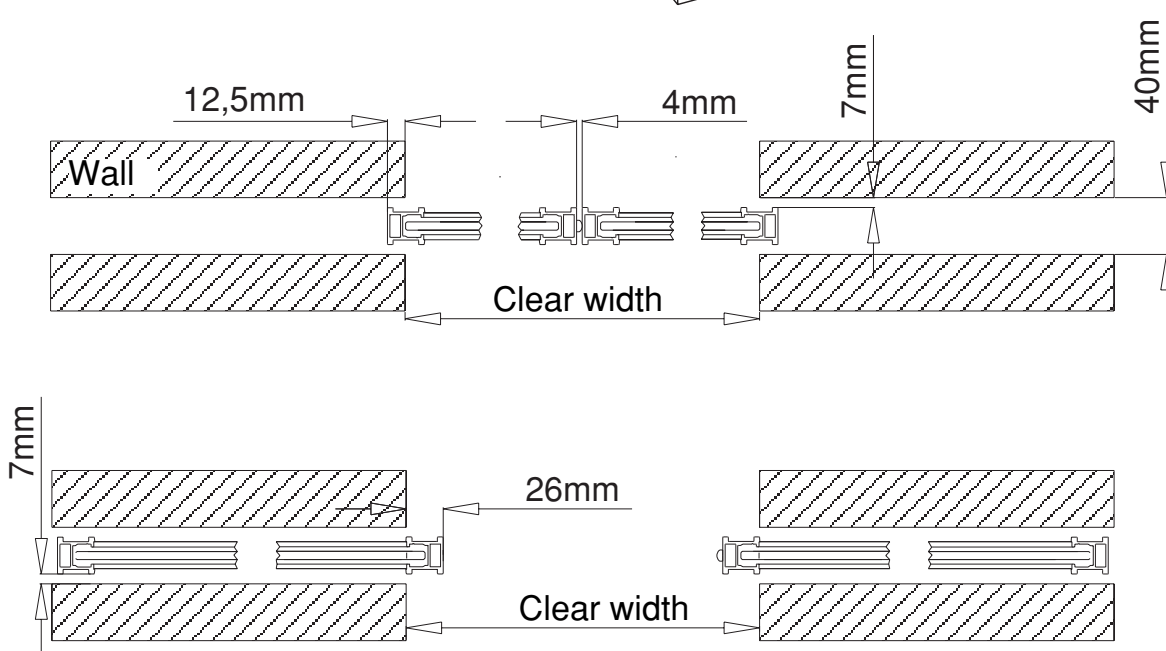
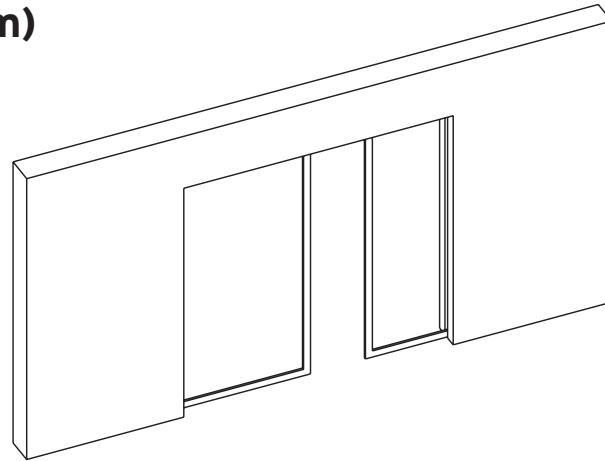


- A. Guide rail
- B. Guide rollers
- C. Horizontal profile
- D. Bottom horizontal profile
- E. Infill panel
- F. Height-adjustable track rollers
- G. Infill retaining profile
- H. Floor rail
- I. Wall distance profile

Calculation of leaves:  
 Clear width + 21 mm : 2 = Overall frame width  
 Clear height - 3 mm = Overall frame height

Calculation of track:  
 Leaf width x 4 + 50 mm = Guide rail / floor rail length

**Sliding doors focus (floor system)**  
**double-leaf sliding in the wall**  
 1 track (ceiling installation)

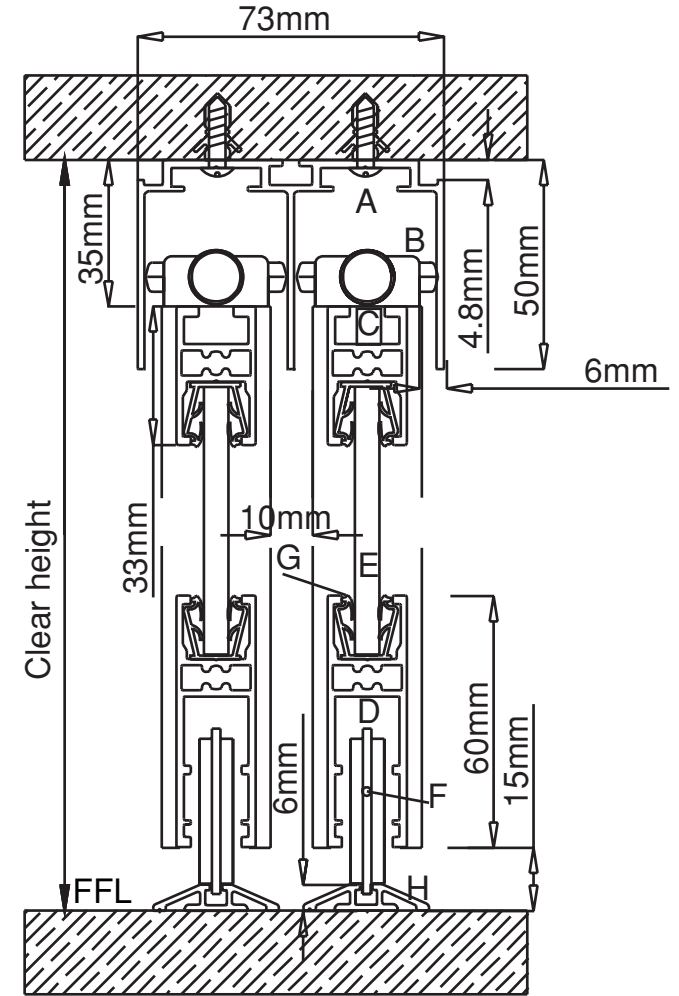
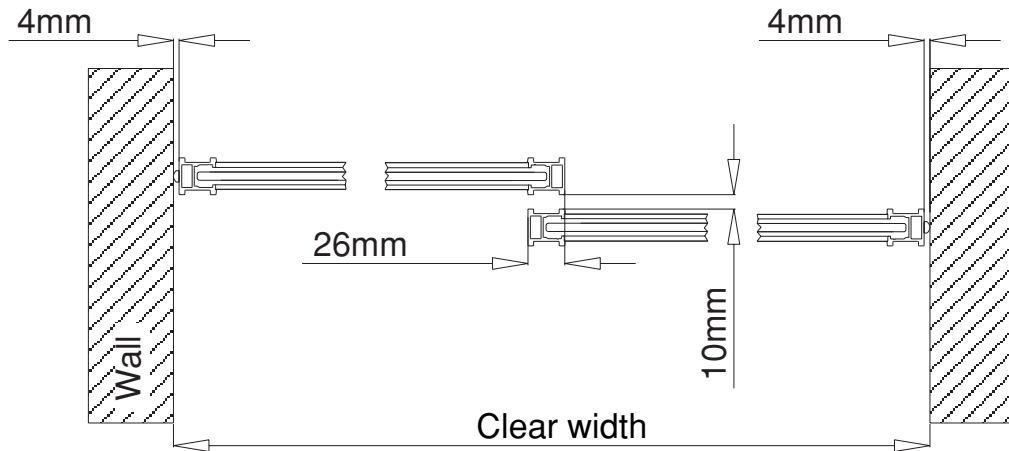
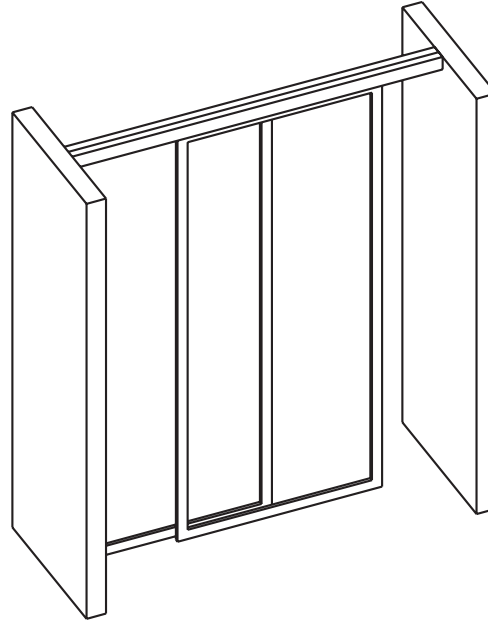


- A. Guide rail
- B. Guide rollers
- C. Horizontal profile
- D. Bottom horizontal profile
- E. Infill panel
- F. Height-adjustable track rollers
- G. Infill retaining profile
- H. Floor rail
- I. Wall distance profile

Calculation of leaves:  
 Clear width + 21 mm : 2 = Overall frame width  
 Clear height - 50 mm = Overall frame height

Calculation of track:  
 Leaf width x 4 = Guide rail / floor rail length

**Sliding doors focus (floor system)  
double-leaf sliding between walls  
1 track double-sliding (ceiling installation)**



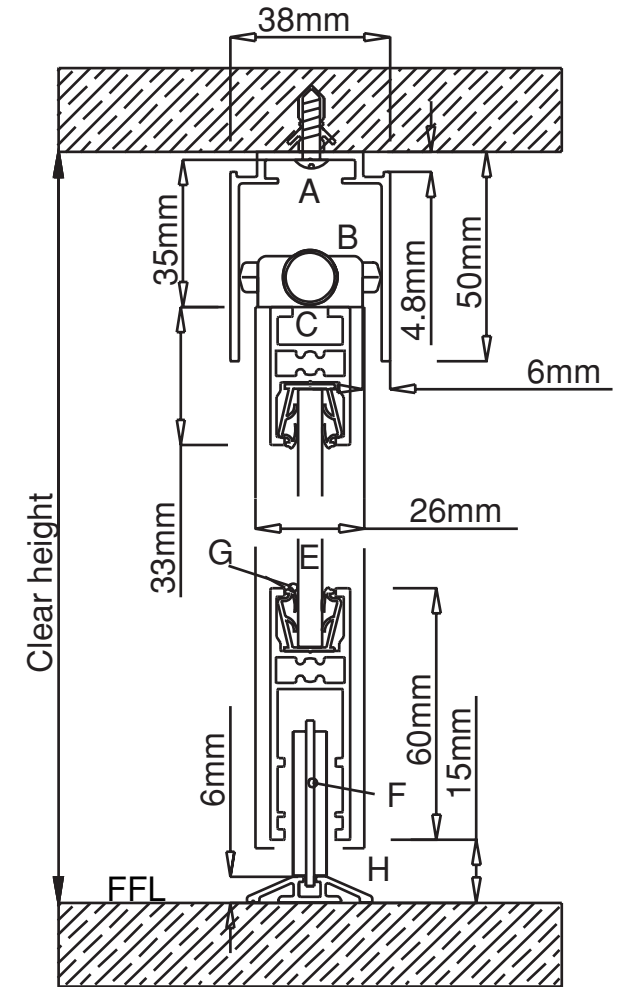
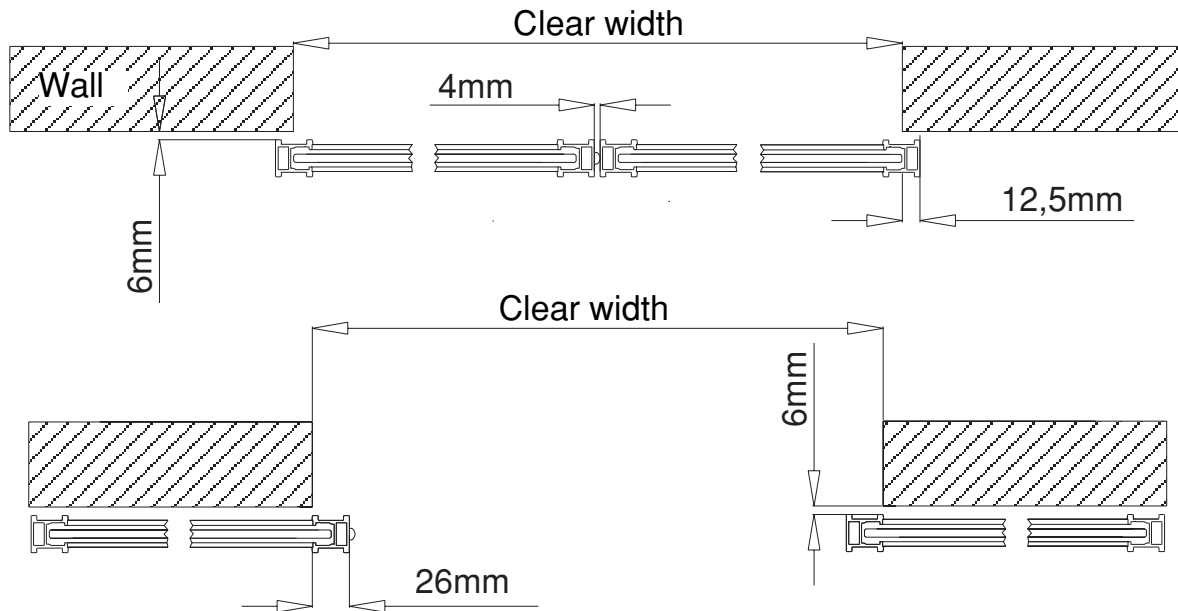
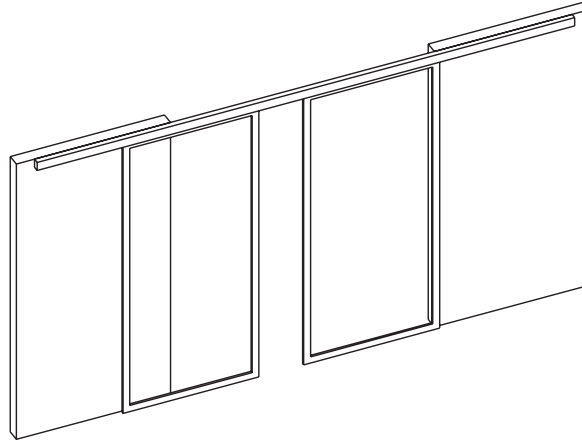
- A. Guide rail
- B. Guide rollers
- C. Horizontal profile
- D. Bottom horizontal profile
- E. Infill panel
- F. Height-adjustable track rollers
- G. Infill retaining profile
- H. Floor rail
- I. Wall distance profile



Calculation of leaves:  
 $\text{Clear width} + 18 \text{ mm} : 2 = \text{Overall frame width}$   
 $\text{Clear height} - 50 \text{ mm} = \text{Overall frame height}$

Calculation of track:  
 $\text{Clear width (Guide rail double-sliding)} = \text{Guide rail / floor rail length}$

**Sliding doors focus floor system  
double-leaf sliding under the ceiling  
1 track (ceiling installation)**

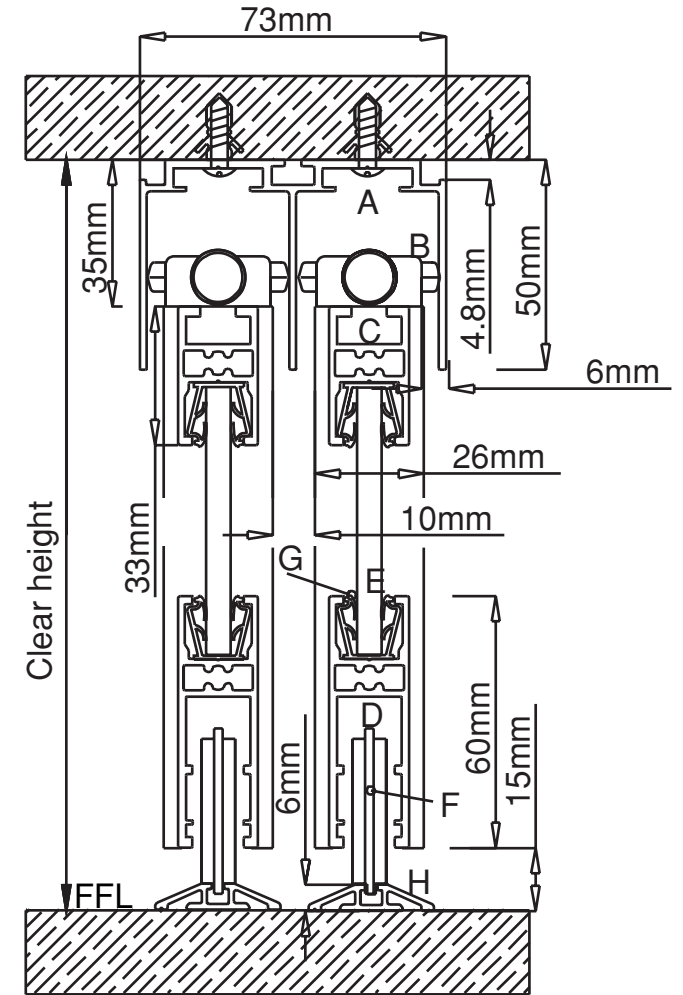
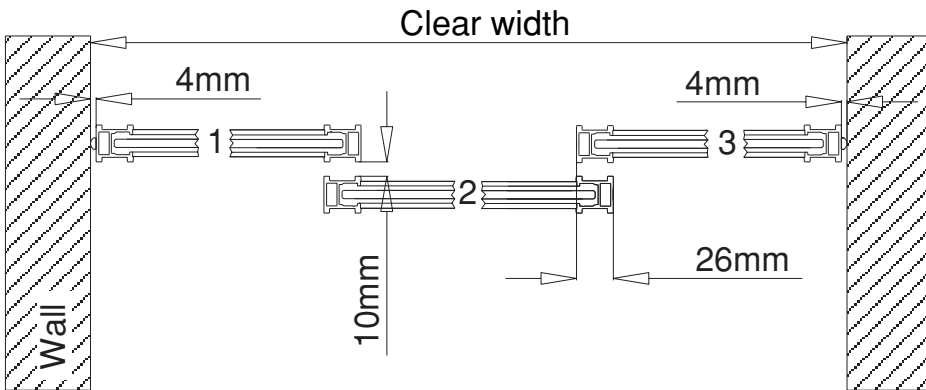
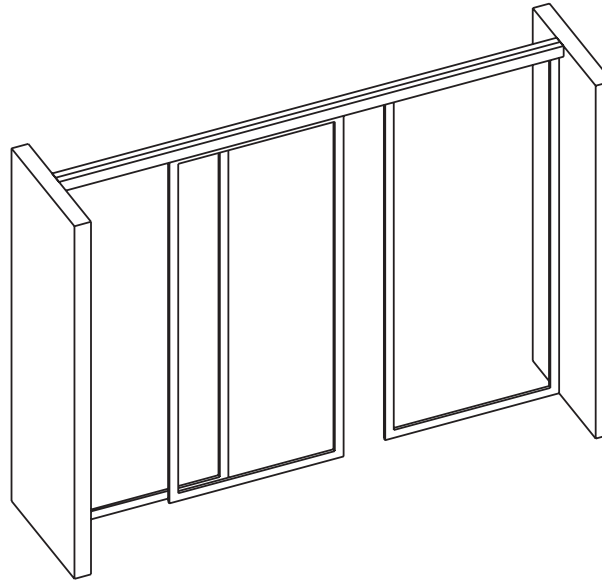


- A. Guide rail
- B. Guide rollers
- C. Horizontal profile
- D. Bottom horizontal profile
- E. Infill panel
- F. Height-adjustable track rollers
- G. Infill retaining profile
- H. Floor rail
- I. Wall distance profile

Calculation of leaves:  
 $\text{Clear width} + 21 \text{ mm} : 2 = \text{Overall frame width}$   
 $\text{Clear height} - 50 \text{ mm} = \text{Overall frame height}$

Calculation of track:  
 $\text{Leaf width} \times 4 + 50 \text{ mm} = \text{Guide rail / floor rail length}$

**Sliding doors focus (floor system)**  
**three-leaf sliding between walls**  
 1 track double-sliding (ceiling installation)

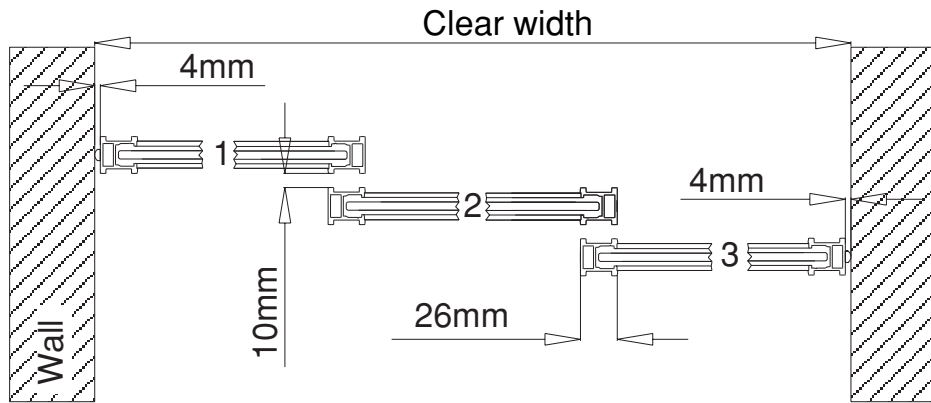
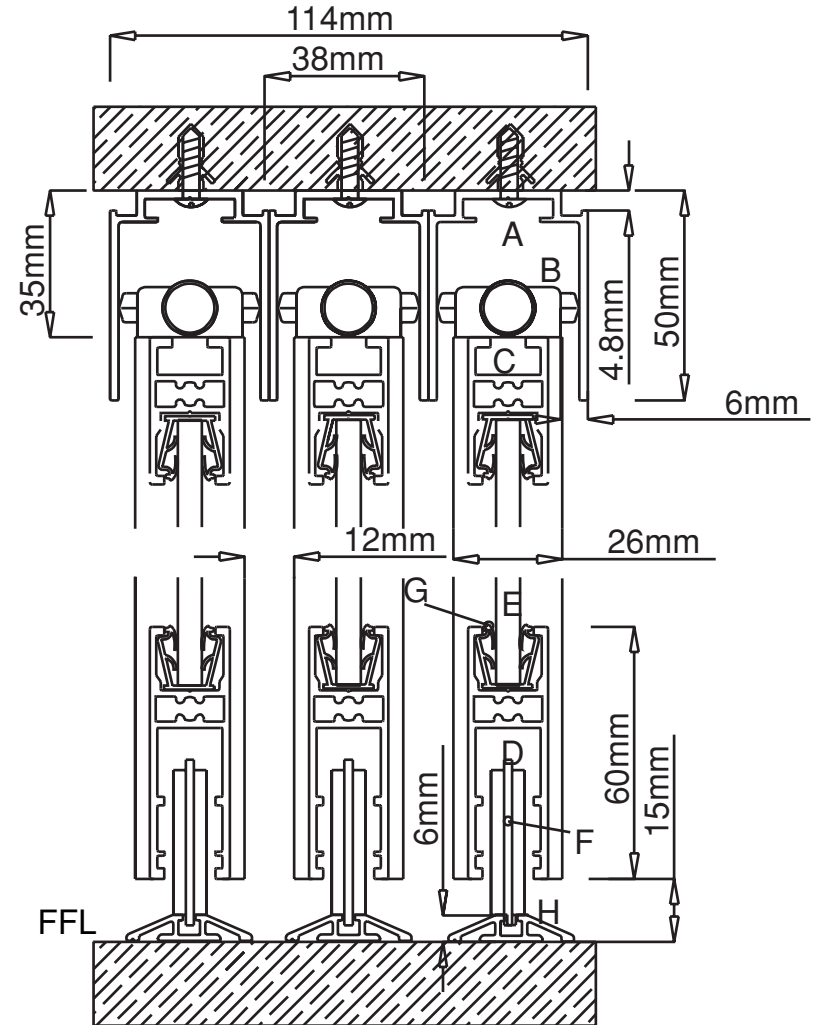
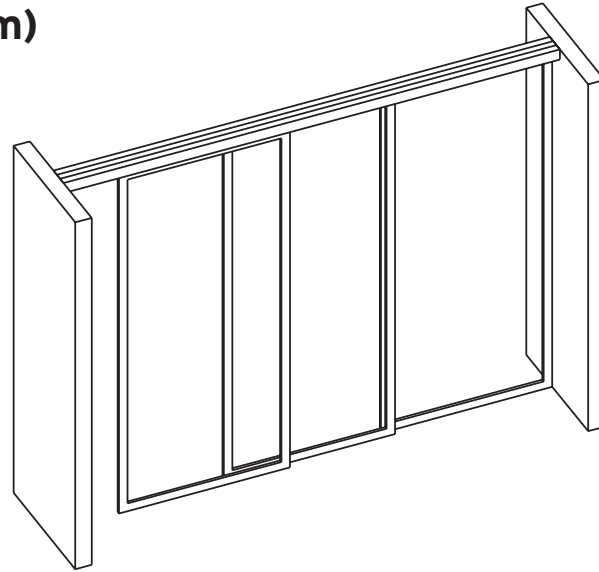


- A. Guide rail
- B. Guide rollers
- C. Horizontal profile
- D. Bottom horizontal profile
- E. Infill panel
- F. Height-adjustable track rollers
- G. Infill retaining profile
- H. Floor rail
- I. Wall distance profile

Calculation of leaves:  
 Clear width + 44 mm : 3 = Overall frame width  
 Clear height - 50 mm = Overall frame height

Calculation of track:  
 Clear width (Guide rail double-sliding) = Guide rail / floor rail length

**Sliding doors focus (floor system)**  
**three-leaf sliding between walls**  
 3 tracks (ceiling installation)



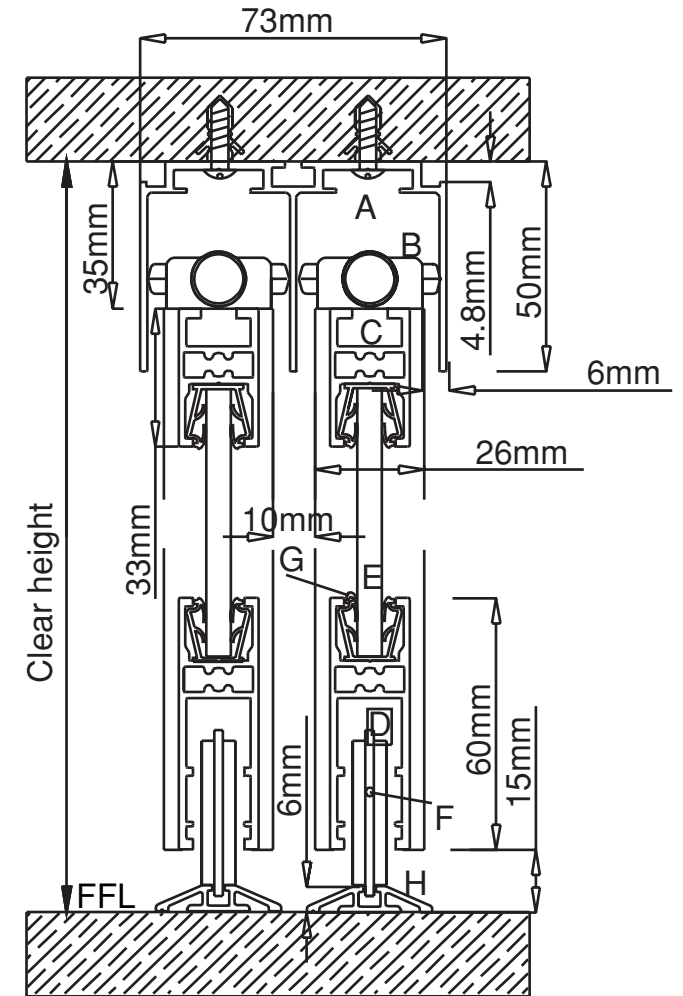
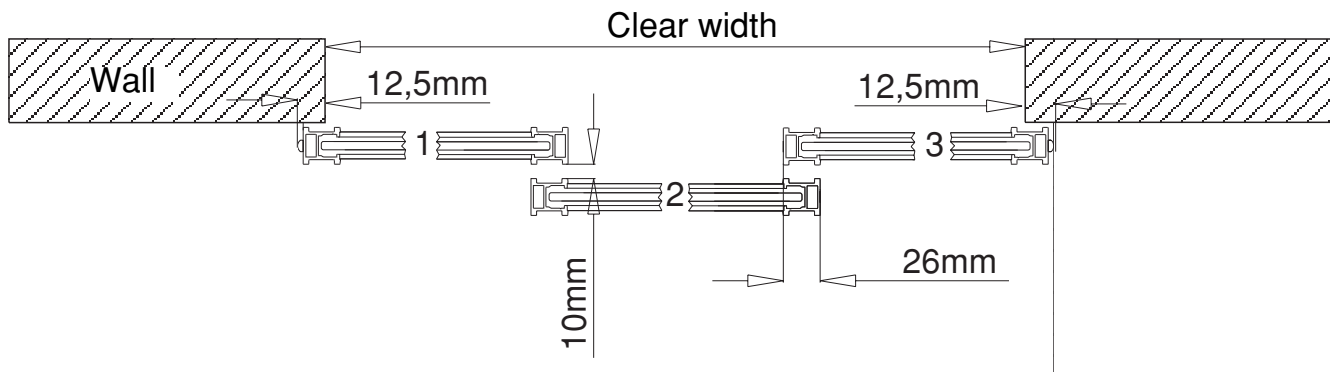
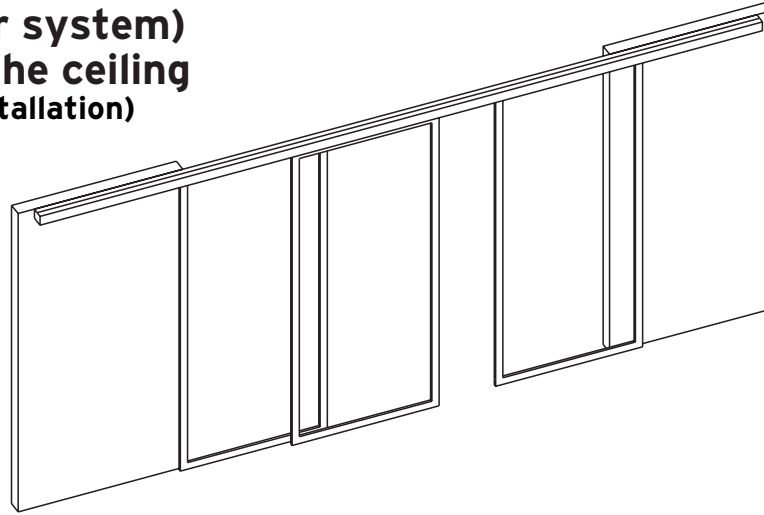
- A. Guide rail
- B. Guide rollers
- C. Horizontal profile
- D. Bottom horizontal profile
- E. Infill panel
- F. Height-adjustable track rollers
- G. Infill retaining profile
- H. Floor rail
- I. Wall distance profile



Calculation of leaves:  
 Clear width + 44 mm : 3 = Overall frame width  
 Clear height - 50 mm = Overall frame height

Calculation of track:  
 Clear width (Guide rail single-leaf) = Guide rail / floor rail length

**Sliding doors focus (floor system)**  
**three-leaf sliding under the ceiling**  
**1 track double-sliding (ceiling installation)**

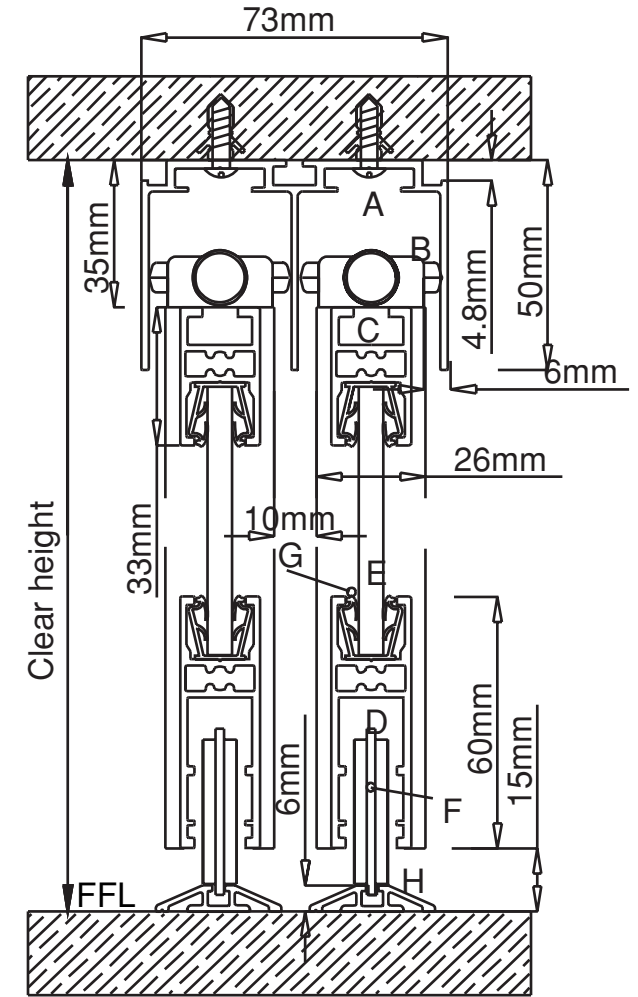
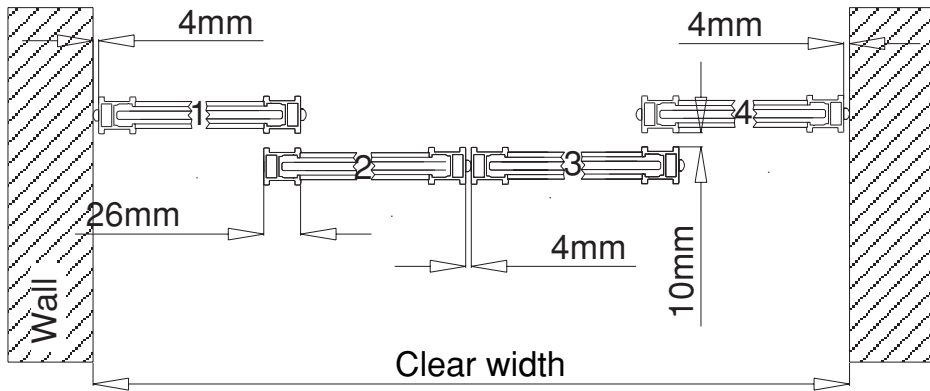
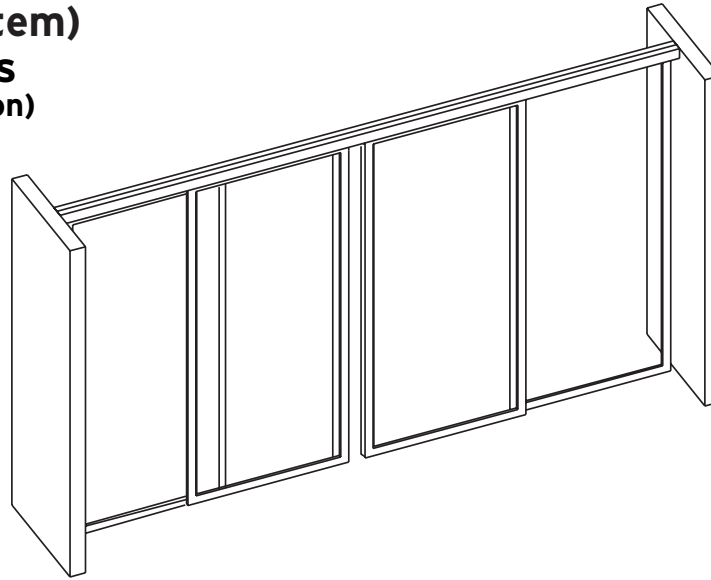


- A. Guide rail
- B. Guide rollers
- C. Horizontal profile
- D. Bottom horizontal profile
- E. Infill panel
- F. Height-adjustable track rollers
- G. Infill retaining profile
- H. Floor rail
- I. Wall distance profile

Calculation of leaves:  
 Clear width + 77 mm : 3 = Overall frame width  
 Clear height - 50 mm = Overall frame height

Calculation of track:  
 Leaf width x 5 + 50 mm = Guide rail / floor rail length

**Sliding doors focus (floor system)**  
**four-leaf sliding between walls**  
 1 track double-sliding (ceiling installation)

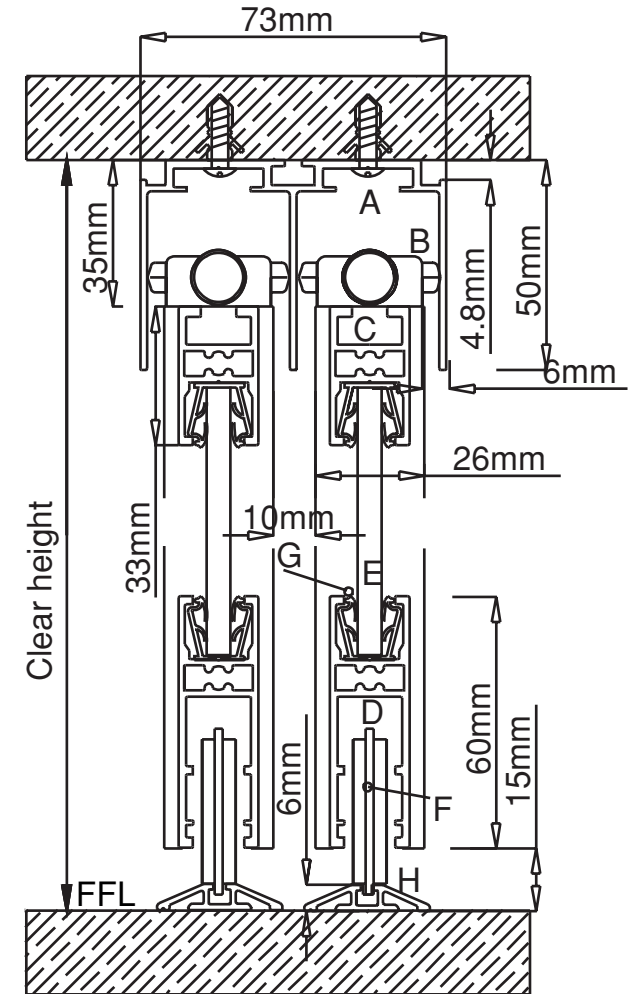
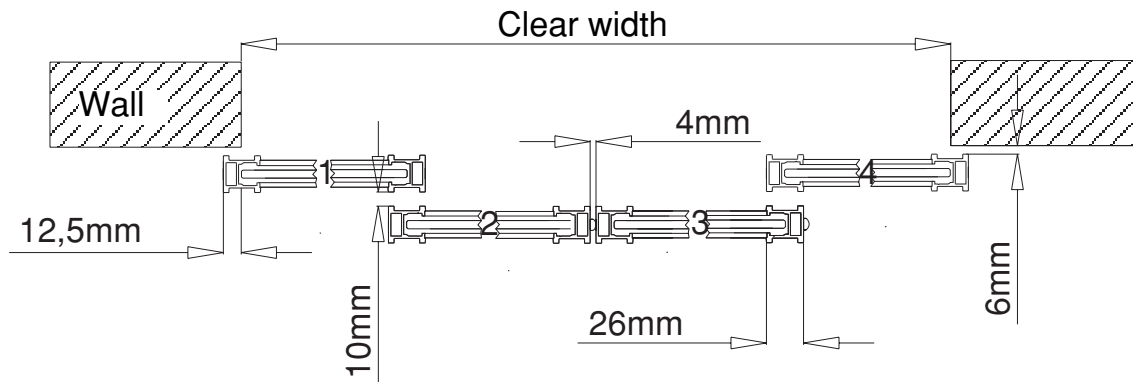
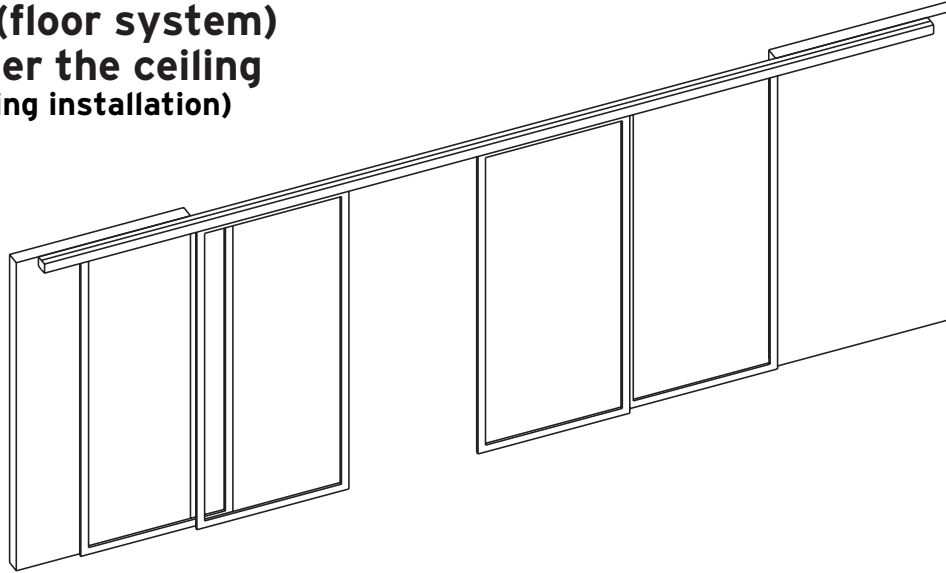


- A. Guide rail
- B. Guide rollers
- C. Horizontal profile
- D. Bottom horizontal profile
- E. Infill panel
- F. Height-adjustable track rollers
- G. Infill retaining profile
- H. Floor rail
- I. Wall distance profile

Calculation of leaves:  
 Clear width + 40 mm : 4 = Overall frame width  
 Clear height - 50 mm = Overall frame height

Calculation of track:  
 Clear width (Guide rail double-sliding) = Guide rail / floor rail length

**Sliding doors focus (floor system)**  
**four-leaf sliding under the ceiling**  
**1 track double-sliding (ceiling installation)**



- A. Guide rail
- B. Guide rollers
- C. Horizontal profile
- D. Bottom horizontal profile
- E. Infill panel
- F. Height-adjustable track rollers
- G. Infill retaining profile
- H. Floor rail
- I. Wall distance profile

Calculation of leaves:  
 Clear width + 73 mm : 4 = Overall frame width  
 Clear height - 50 mm = Overall frame height

Calculation of track:  
 Leaf width x 6 = Guide rail / floor rail length