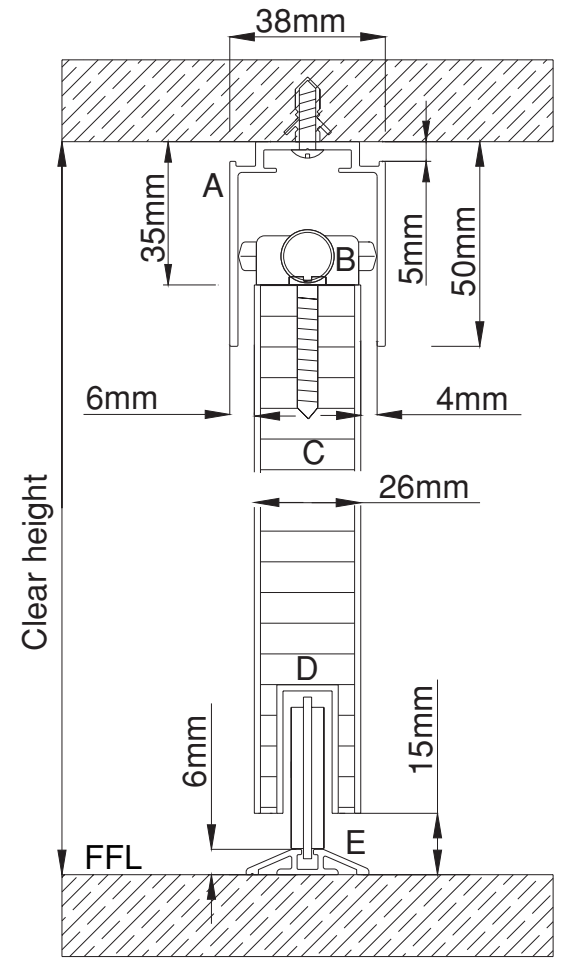
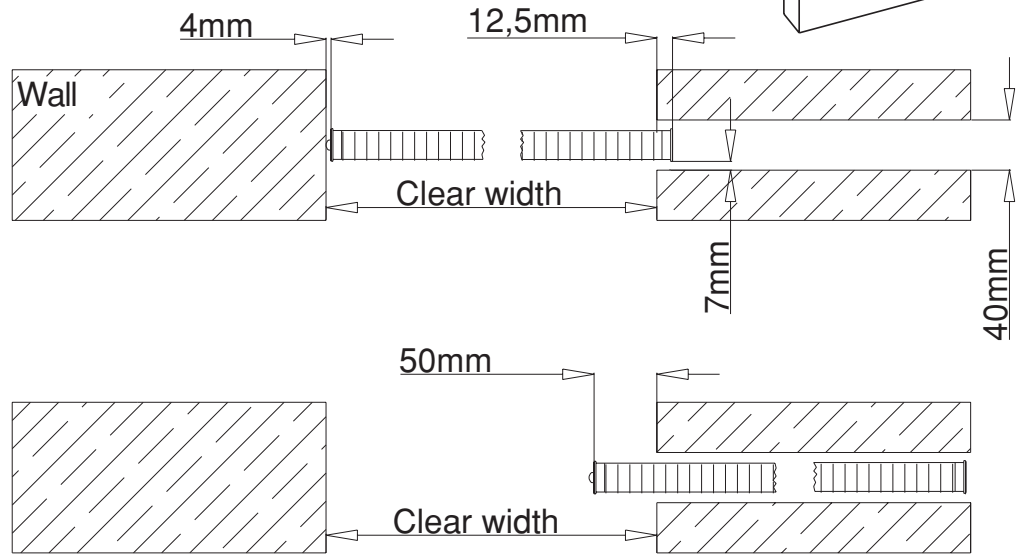
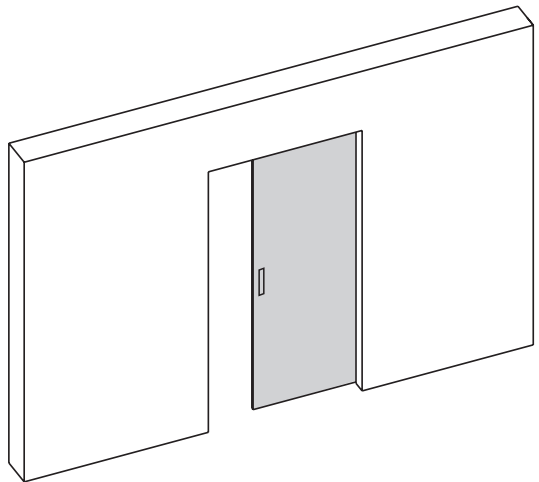


Sliding doors fino (floor system)
single-leaf sliding in the wall
 1 track (ceiling installation)

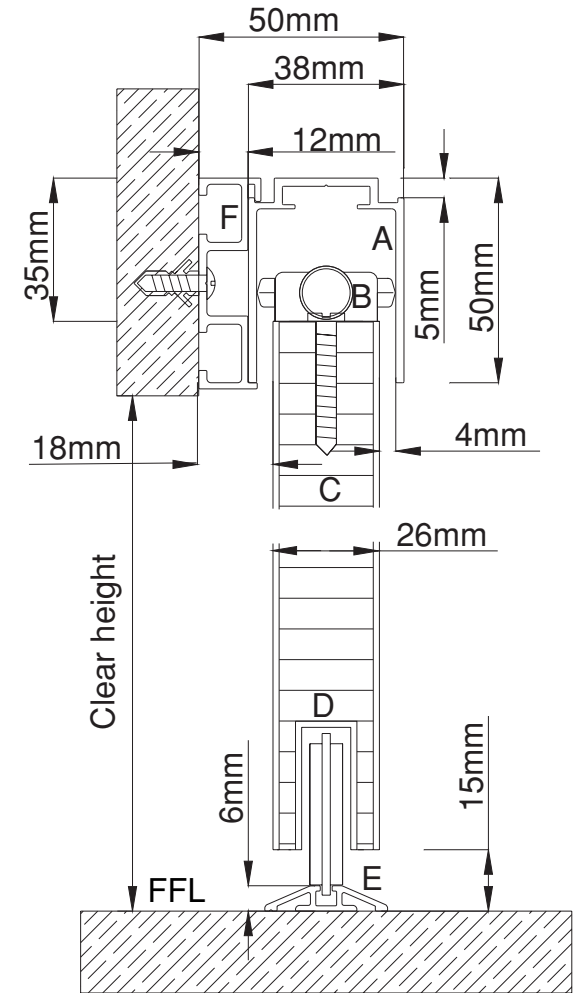
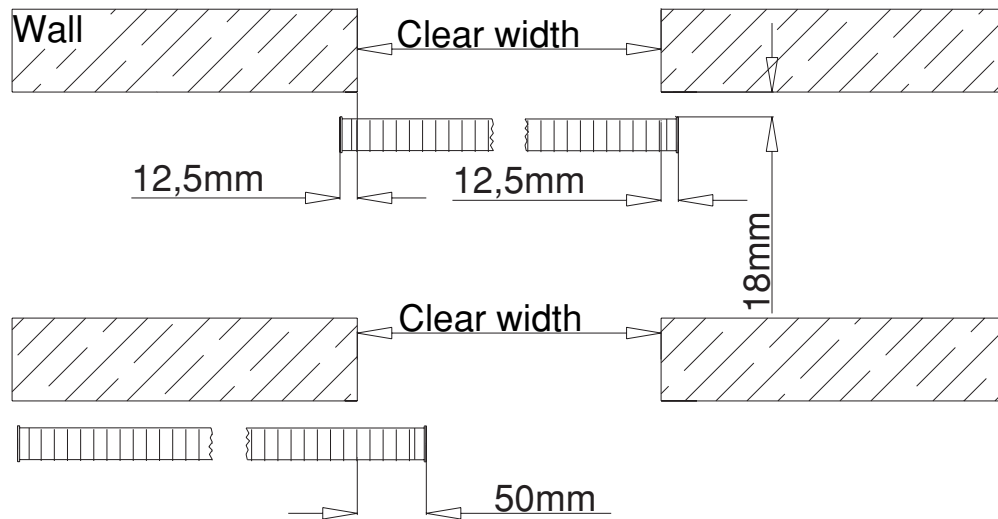
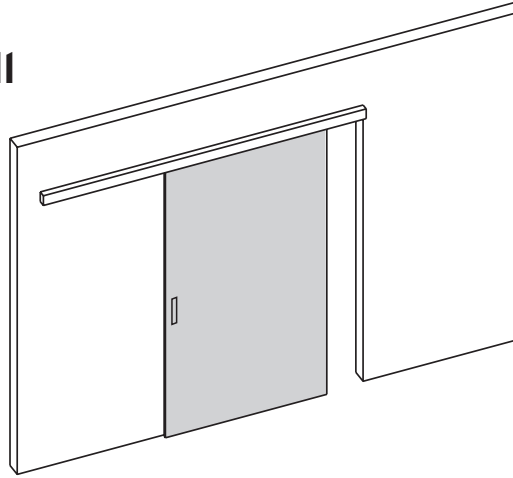


Calculation of leaves:
 Clear width + 12 mm = Overall frame width
 Clear height - 50 mm = Overall frame height

Calculation of track:
 Leaf width x 2 = Guide rail / floor rail length

- A. guide rail
- B. guide rollers
- C. infill panel
- D. height-adjustable track rollers
- E. floor rail

Sliding doors fino (floor system)
single-leaf sliding in front of the wall
1 track (wall installation)

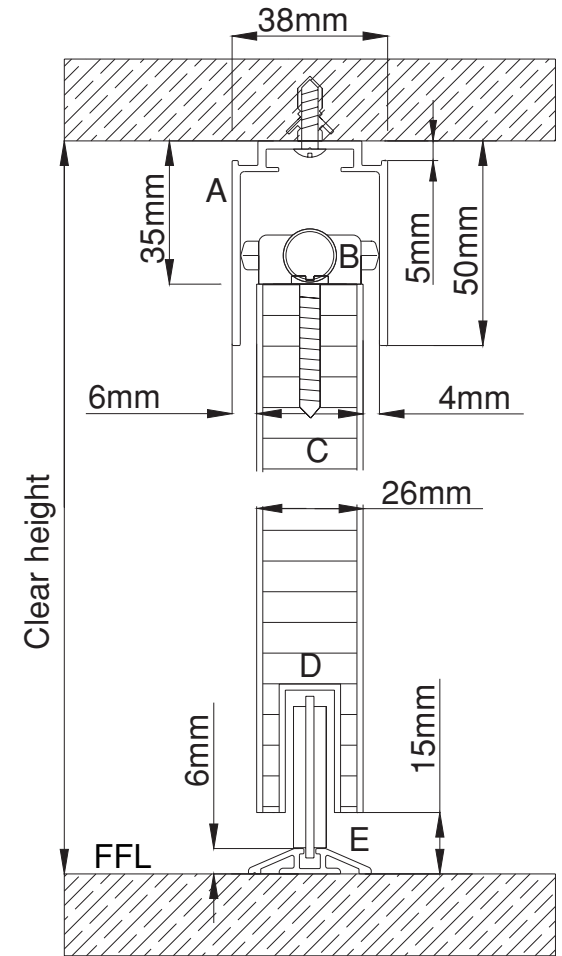
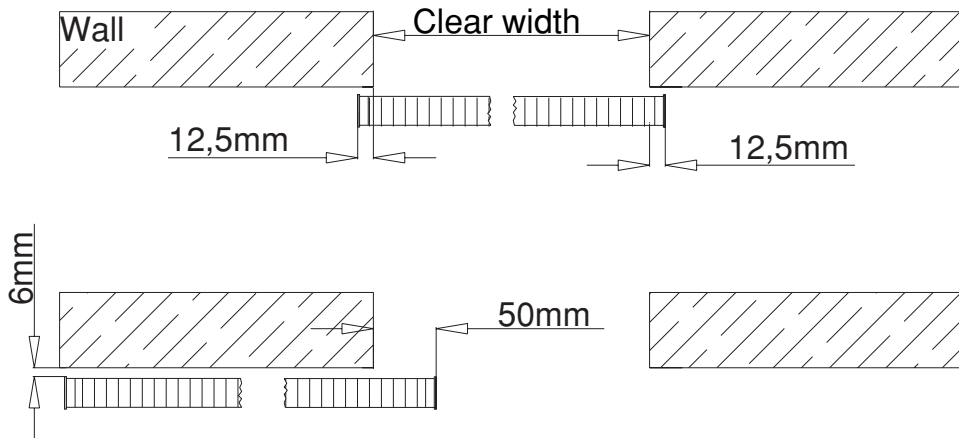
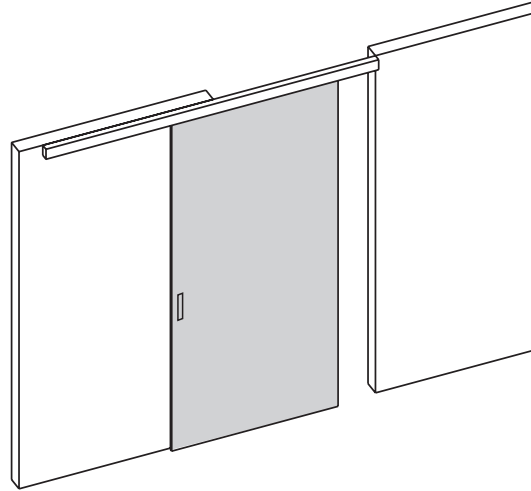


Calculation of leaves:
 Clear width + 25 mm = Overall frame width
 Clear height - 3 mm = Overall frame height

Calculation of track:
 Leaf width x 2 + 50 = Guide rail / floor rail length

- A. guide rail
- B. guide rollers
- C. infill panel
- D. height-adjustable track rollers
- E. floor rail
- F. wall distance profile

**Sliding doors fino (floor system)
single-leaf sliding under the ceiling
1 track (ceiling installation)**

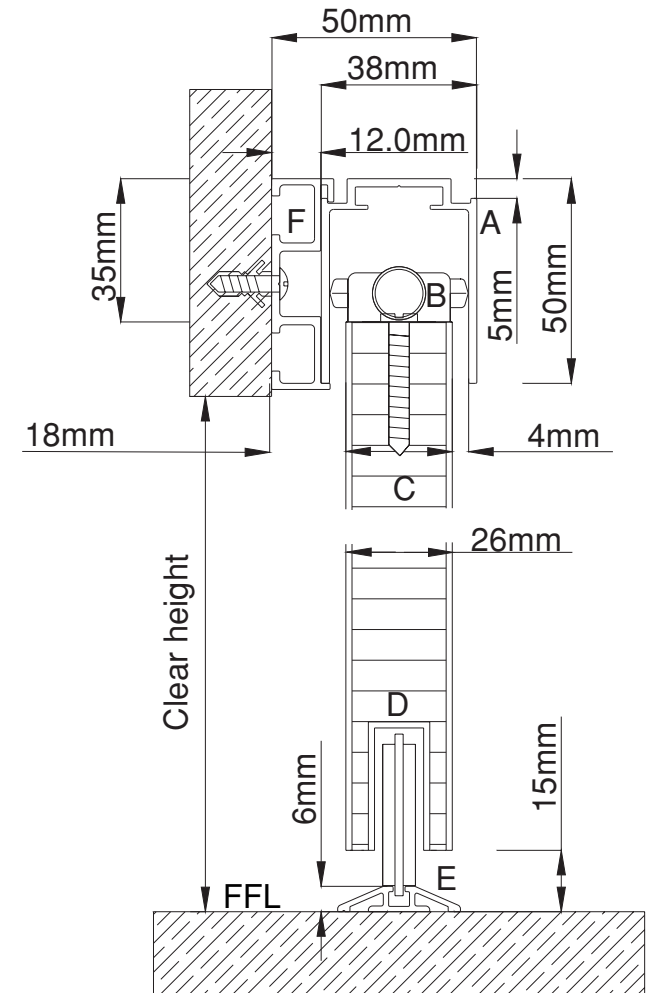
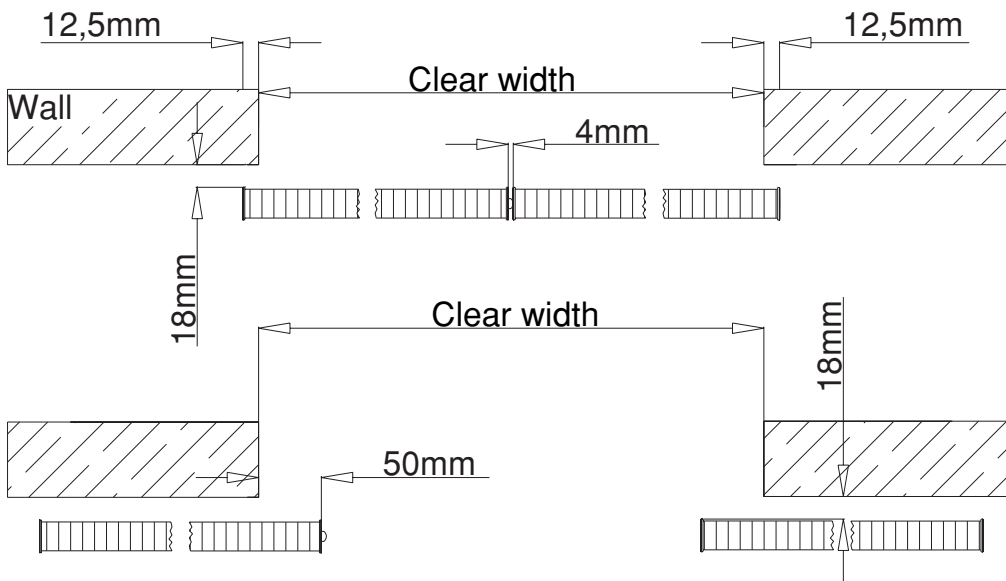
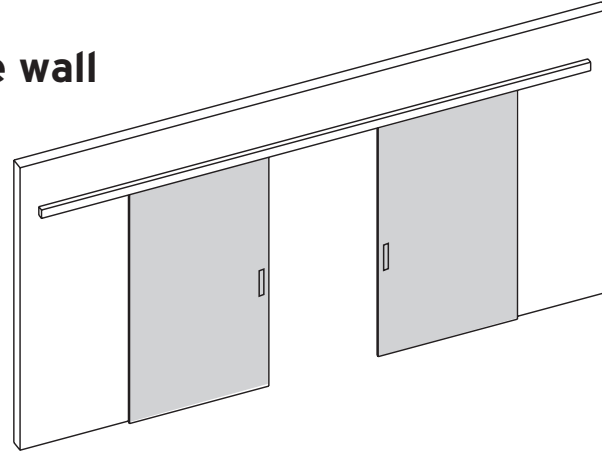


Calculation of leaves:
 $\text{Clear width} + 25 \text{ mm} = \text{Overall frame width}$
 $\text{Clear height} - 50 \text{ mm} = \text{Overall frame height}$

Calculation of track:
 $\text{Leaf width} \times 2 + 50 = \text{Guide rail / floor rail length}$

- A. guide rail
- B. guide rollers
- C. infill panel
- D. height-adjustable track rollers
- E. floor rail

**Sliding doors fino (floor system)
double-leaf sliding in front of the wall
1 track (wall installation)**

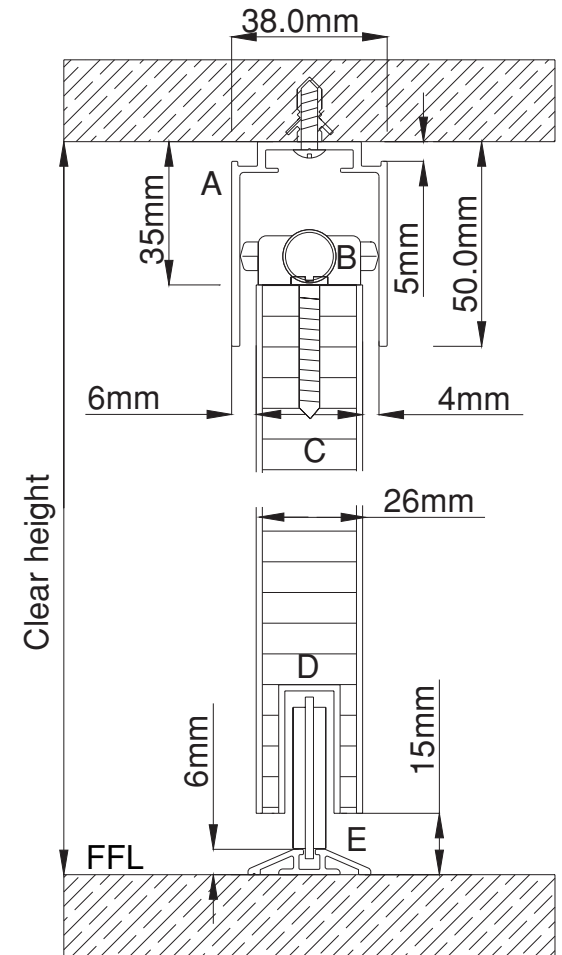
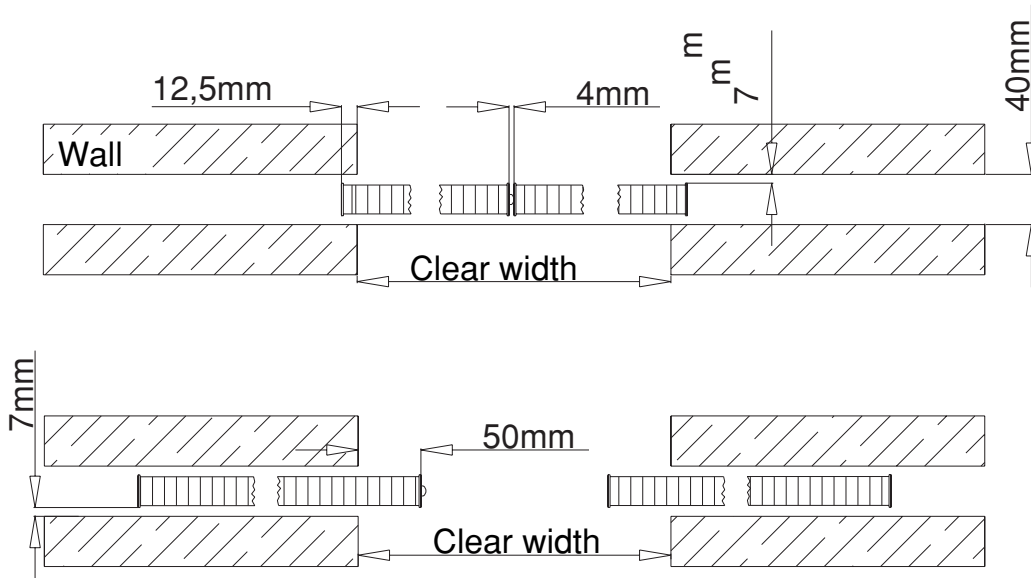
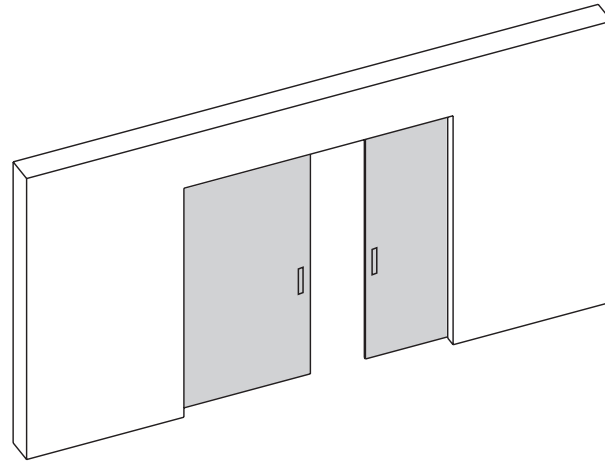


Calculation of leaves:
 $\text{Clear width} + 21 \text{ mm} : 2 = \text{Overall frame width}$
 $\text{Clear height} - 3 \text{ mm} = \text{Overall frame height}$

Calculation of track:
 $\text{Leaf width} \times 4 + 50 \text{ mm} = \text{Guide rail / floor rail length}$

- A. guide rail
- B. guide rollers
- C. infill panel
- D. height-adjustable track rollers
- E. floor rail
- F. wall distance profile

**Sliding doors fino (floor system)
double-leaf sliding in the wall
1 track (ceiling installation)**

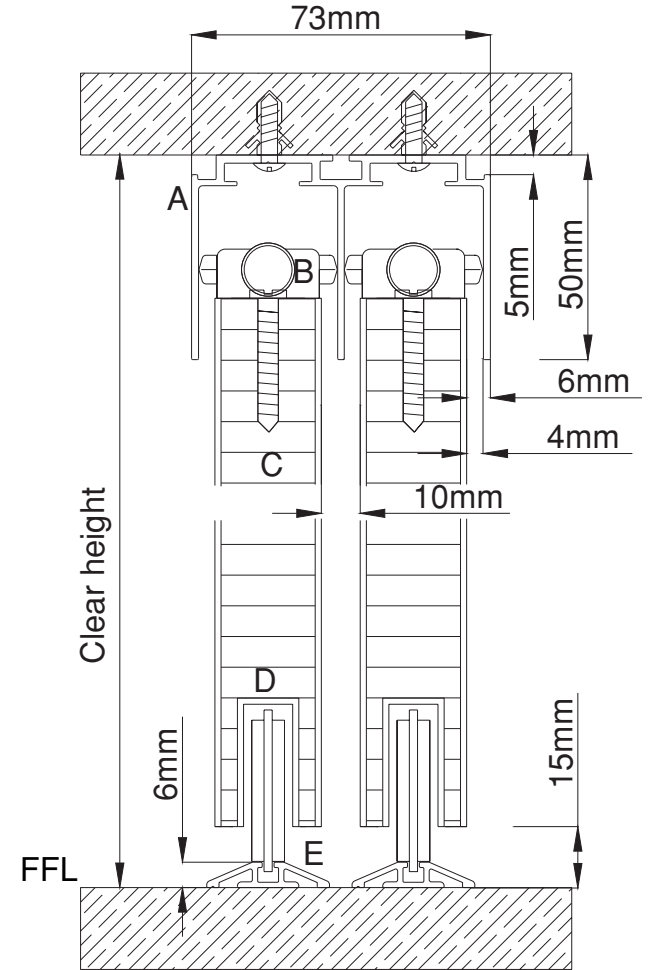
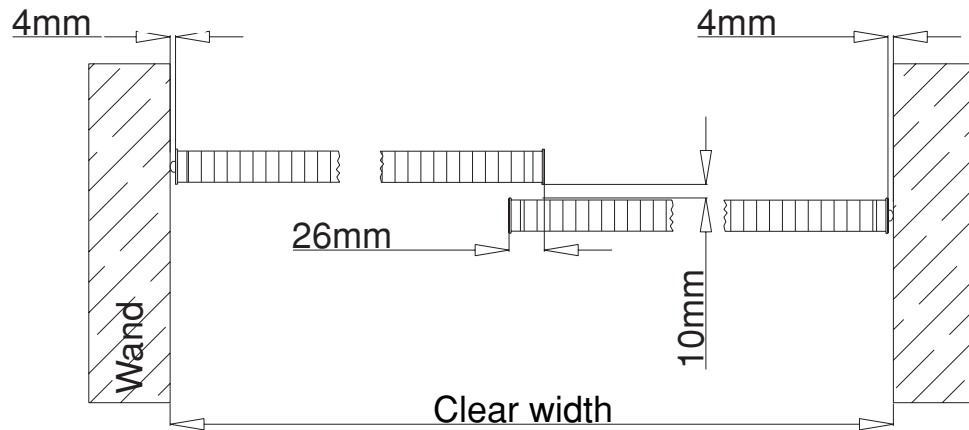
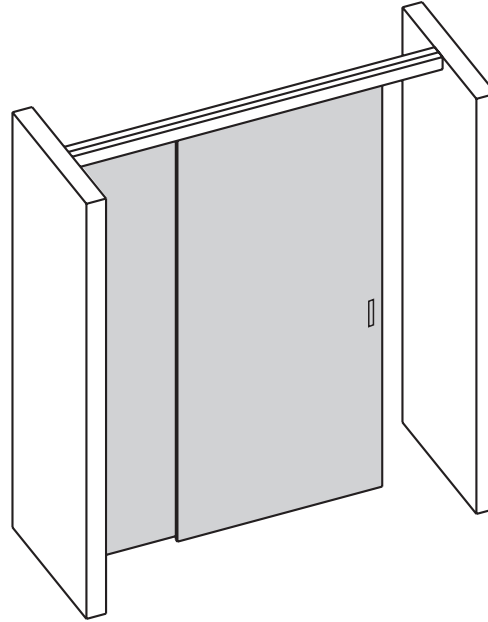


- A. guide rail
- B. guide rollers
- C. infill panel
- D. height-adjustable track rollers
- E. floor rail

Calculation of leaves:
 $\text{Clear width} + 21 \text{ mm} : 2 = \text{Overall frame width}$
 $\text{Clear height} - 50 \text{ mm} = \text{Overall frame height}$

Calculation of track:
 $\text{Leaf width} \times 4 = \text{Guide rail / floor rail length}$

**Sliding doors fino (floor system)
double-leaf sliding between walls
1 track double-sliding (ceiling installation)**



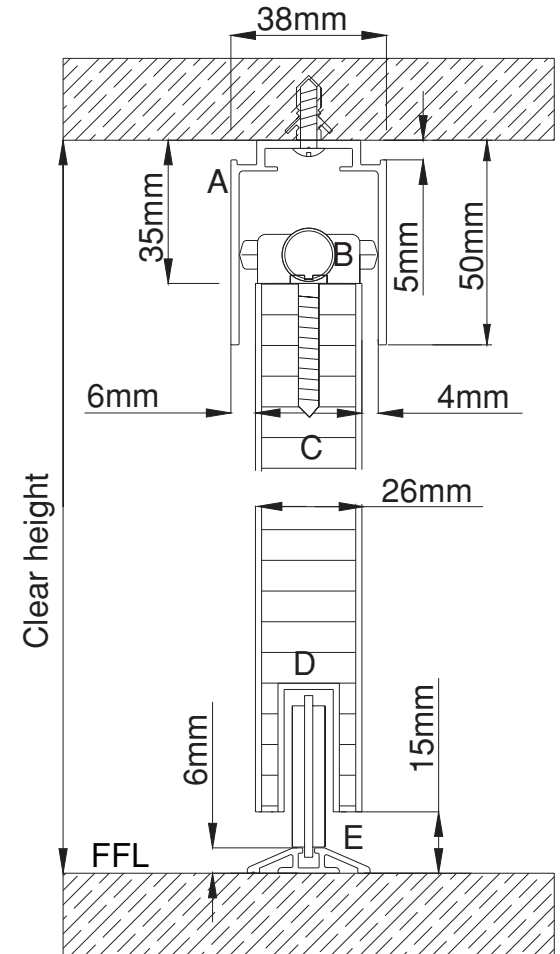
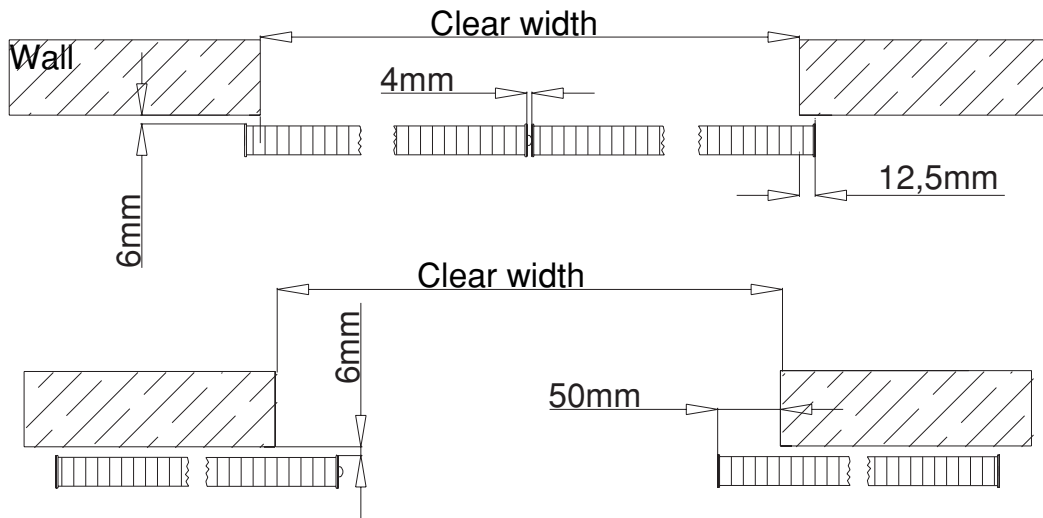
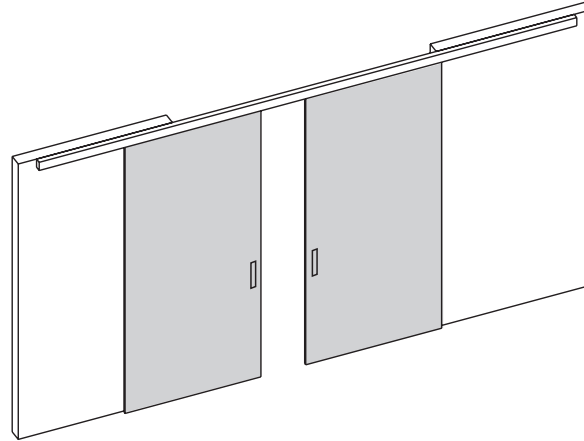
inova[®]
The Room System

Calculation of leaves:
 $\text{Clear width} + 18 \text{ mm} : 2 = \text{Overall frame width}$
 $\text{Clear height} - 50 \text{ mm} = \text{Overall frame height}$

Calculation of track:
 $\text{Clear width (Guide rail double-sliding)} = \text{Guide rail / floor rail length}$

- A. guide rail
- B. guide rollers
- C. infill panel
- D. height-adjustable track rollers
- E. floor rail

**Sliding doors fino (floor system)
double-leaf sliding under the ceiling
1 track (ceiling installation)**

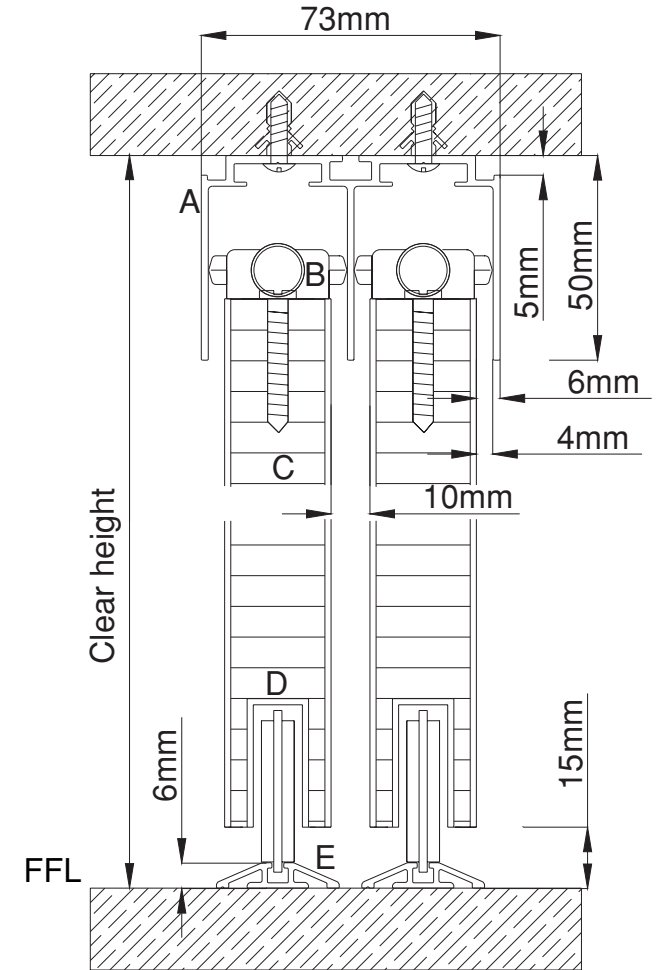
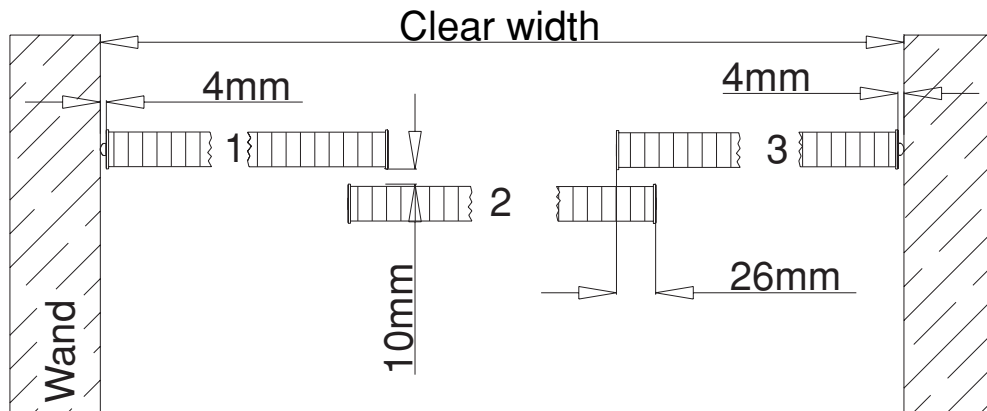
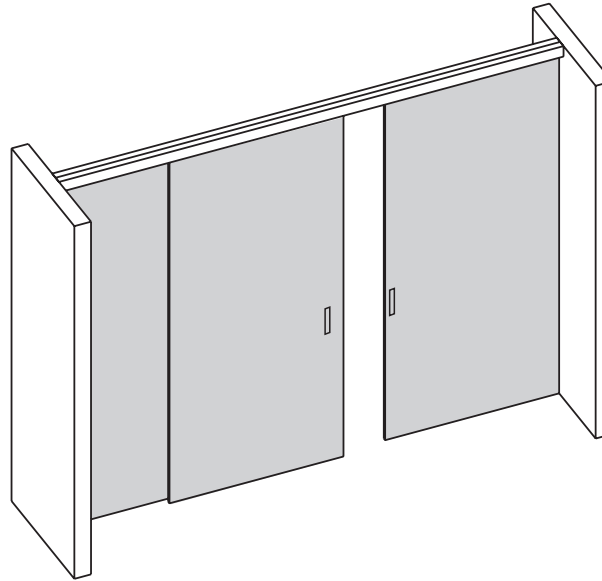


- A. guide rail
- B. guide rollers
- C. infill panel
- D. height-adjustable track rollers
- E. floor rail

Calculation of leaves:
 $\text{Clear width} + 21 \text{ mm} : 2 = \text{Overall frame width}$
 $\text{Clear height} - 50 \text{ mm} = \text{Overall frame height}$

Calculation of track:
 $\text{Leaf width} \times 4 + 50 \text{ mm} = \text{Guide rail / floor rail length}$

Sliding doors fino (floor system)
three-leaf sliding between walls
1 track double-sliding (ceiling installation)

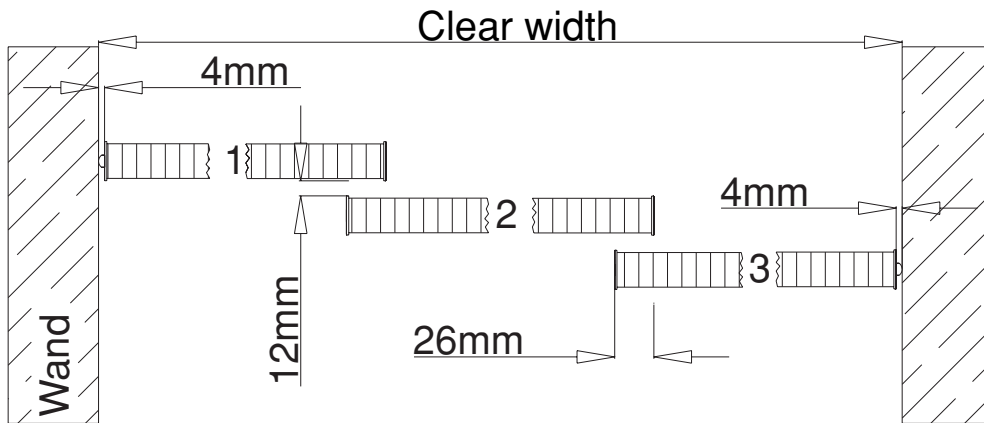
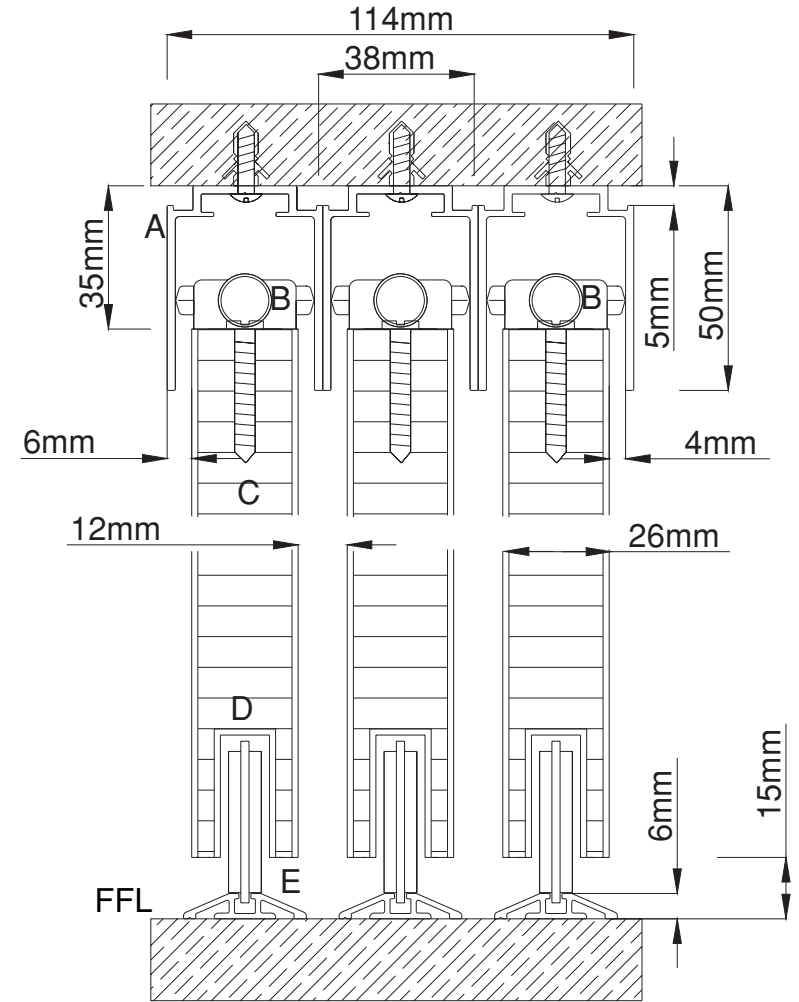
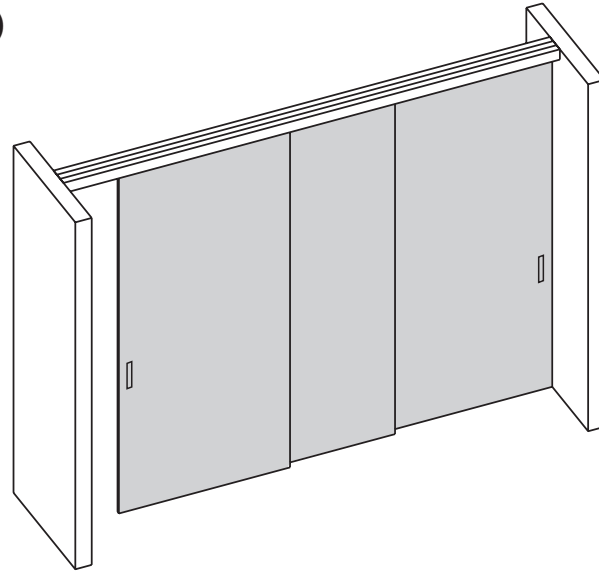


Calculation of leaves:
 Clear width + 44 mm : 3 = Overall frame width
 Clear height - 50 mm = Overall frame height

Calculation of track:
 Clear width (Guide rail double-sliding) = Guide rail / floor rail length

- A. guide rail
- B. guide rollers
- C. infill panel
- D. height-adjustable track rollers
- E. floor rail

Sliding doors fino (floor system)
three-leaf sliding between walls
3 tracks (ceiling installation)



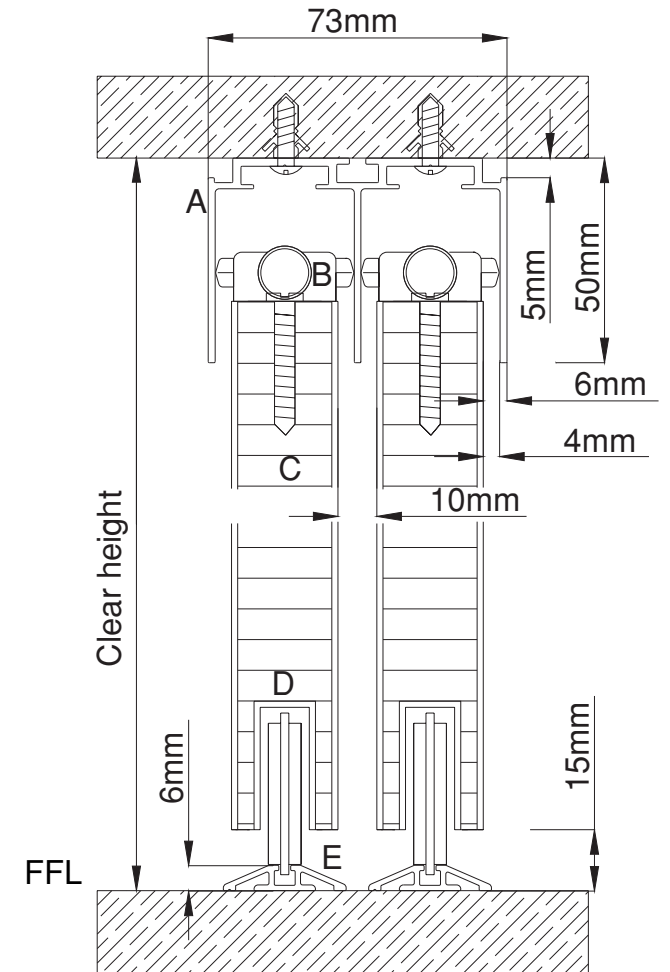
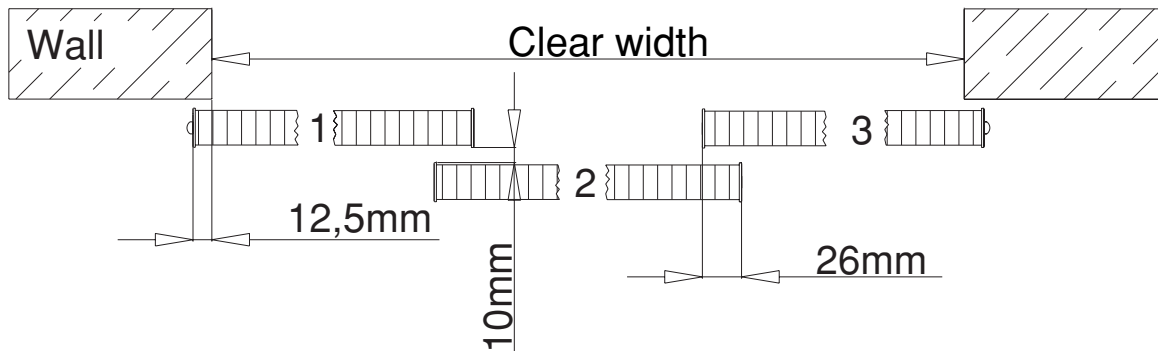
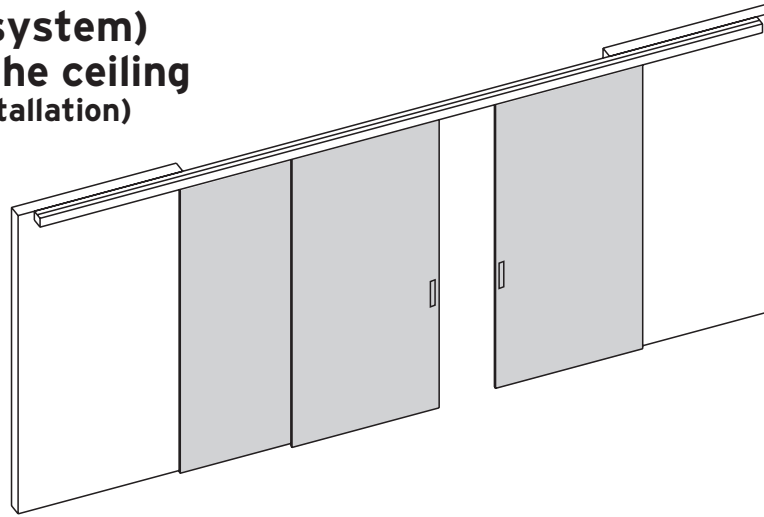
inova[®]
The Room System

Calculation of leaves:
 Clear width + 44 mm : 3 = Overall frame width
 Clear height - 50 mm = Overall frame height

Calculation of track:
 Clear width (Guide rail single-sliding) = Guide rail / floor rail length

- A. guide rail
- B. guide rollers
- C. infill panel
- D. height-adjustable track rollers
- E. floor rail

Sliding doors fino (floor system)
three-leaf sliding under the ceiling
1 track double-sliding (ceiling installation)



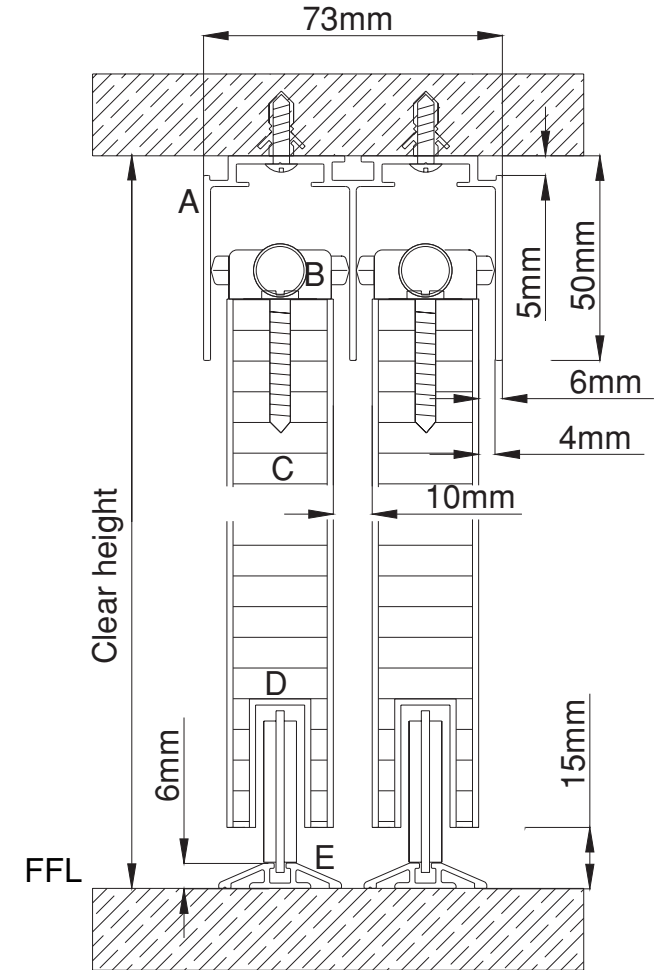
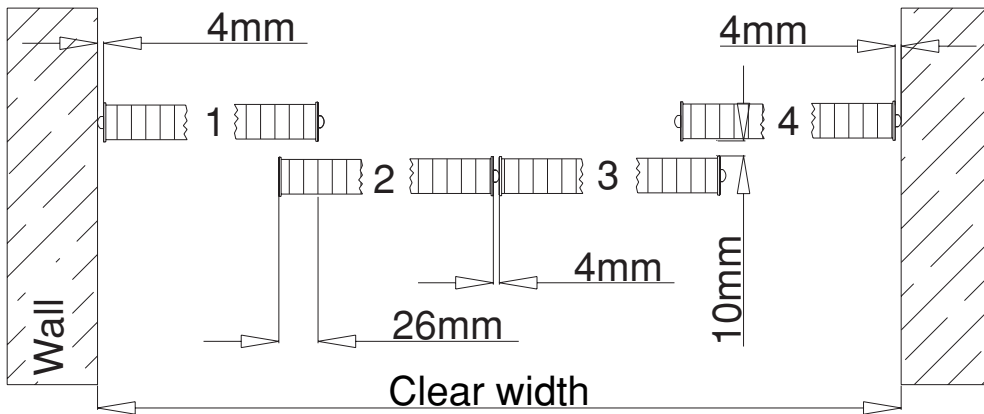
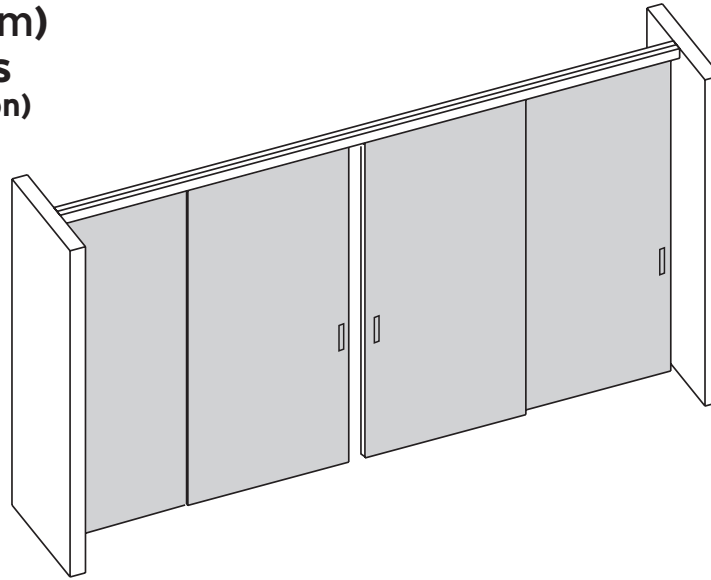
inova[®]
 The Room System

Calculation of leaves:
 Clear width + 77 mm : 3 = Overall frame width
 Clear height - 50 mm = Overall frame height

Calculation of track:
 Leaf width x 5 + 50 mm = Guide rail / floor rail length

- A. guide rail
- B. guide rollers
- C. infill panel
- D. height-adjustable track rollers
- E. floor rail

Sliding doors fino (floor system)
four-leaf sliding between walls
 1 track double-sliding (ceiling installation)



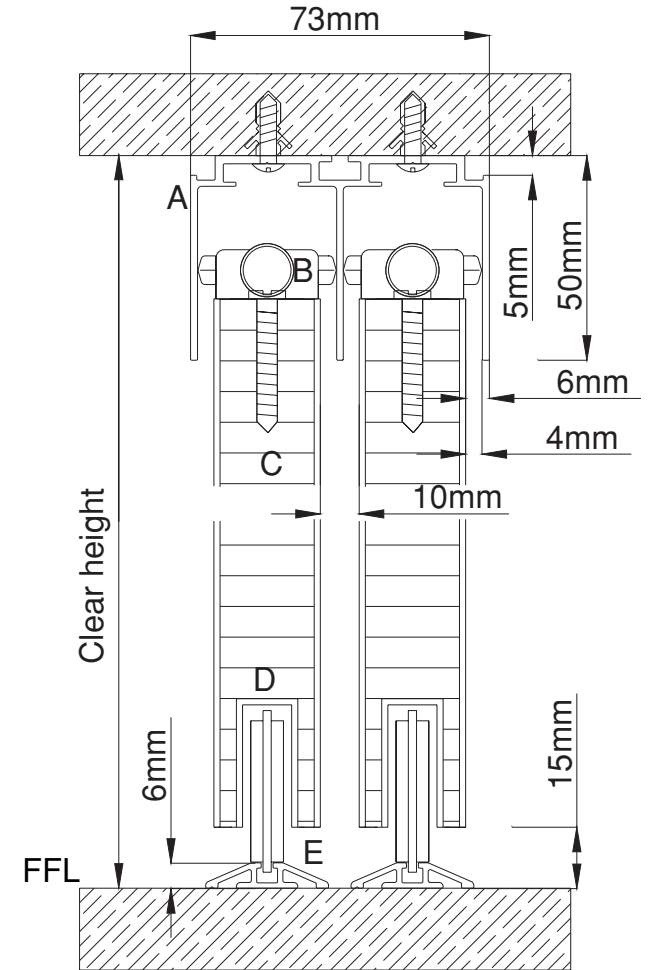
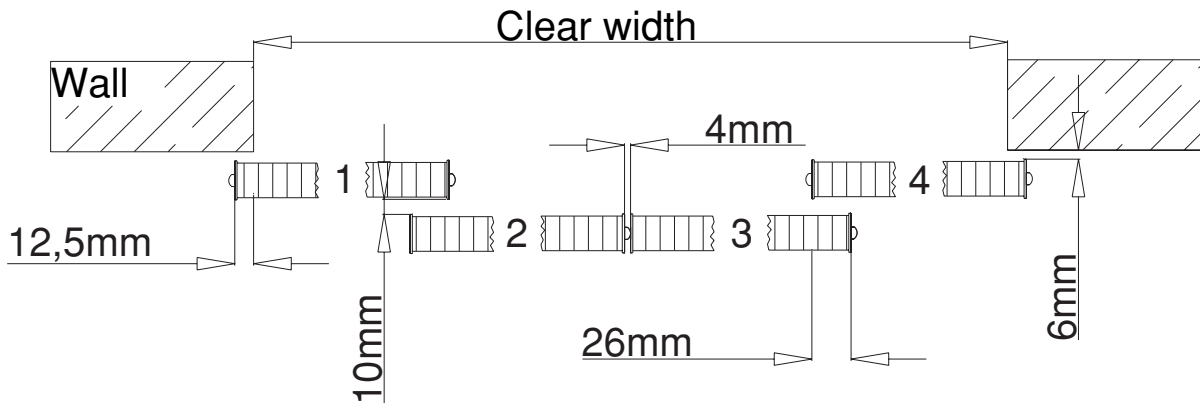
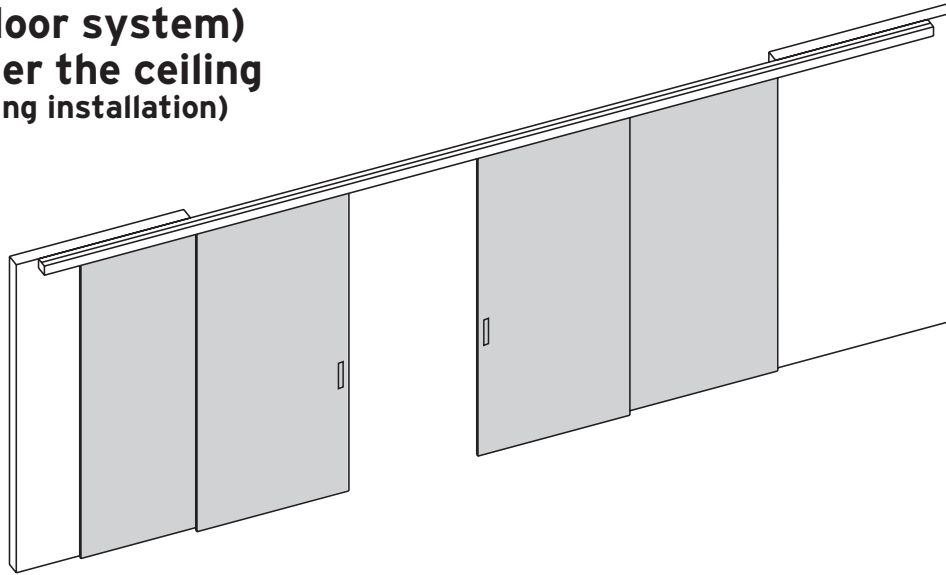
- A. guide rail
- B. guide rollers
- C. infill panel
- D. height-adjustable track rollers
- E. floor rail

inova[®]
 The Room System

Calculation of leaves:
 Clear width + 40 mm : 4 = Overall frame width
 Clear height - 50 mm = Overall frame height

Calculation of track:
 Clear width (guide rail double-sliding) = Guide rail / floor rail length

Sliding doors fino (floor system)
four-leaf sliding under the ceiling
 1 track double-sliding (ceiling installation)



- A. guide rail
- B. guide rollers
- C. infill panel
- D. height-adjustable track rollers
- E. floor rail

Calculation of leaves:
 Clear width + 73 mm : 4 = Overall frame width
 Clear height - 50 mm = Overall frame height

Calculation of track:
 Leaf width x 6 = Guide rail / floor rail length