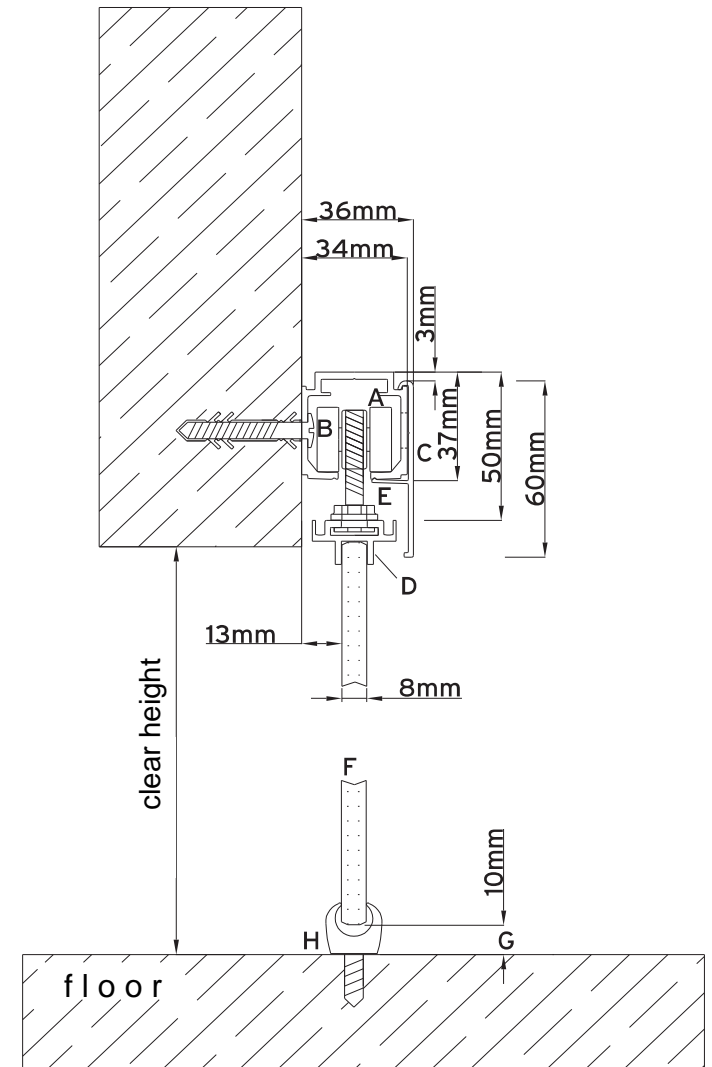
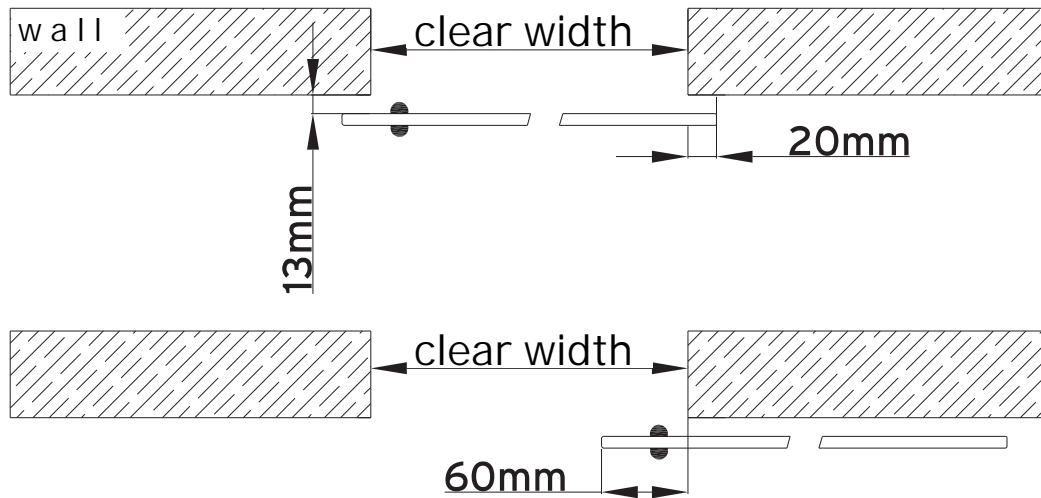
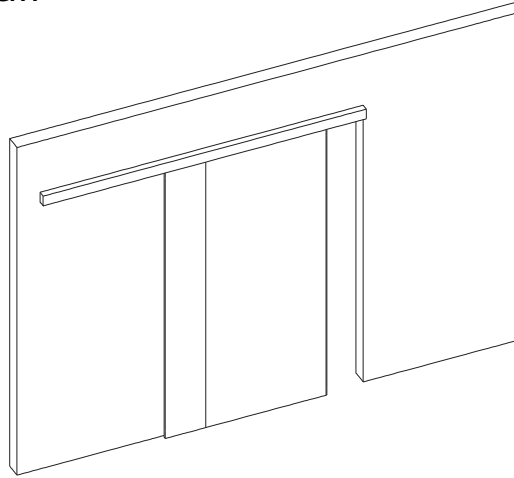


sliding door ganzglas (suspension system)  
 single-leaf sliding in front of the wall  
 1 track (wall installation)



- A. track
- B. carriage
- C. track pelmet
- D. horizontal profile
- E. track stop
- F. infill panel
- G. distance to floor
- H. floor guide

calculation of leaves:  
 clear width + 40 mm = overall frame width  
 clear height + 10 mm = overall frame height

calculation of track:  
 leaf width x 2 + 50 mm = track length