

modul plus

Multi-functional shelving system with variable interior organization.

Basic materials

Posts: aluminium

Fittings: zinc die-cast / aluminium die-cast / plastic / metal

Clothes rails: steel with protective plastic sheathing

Furniture components: substrate, class E 1 chipboard

Surfaces

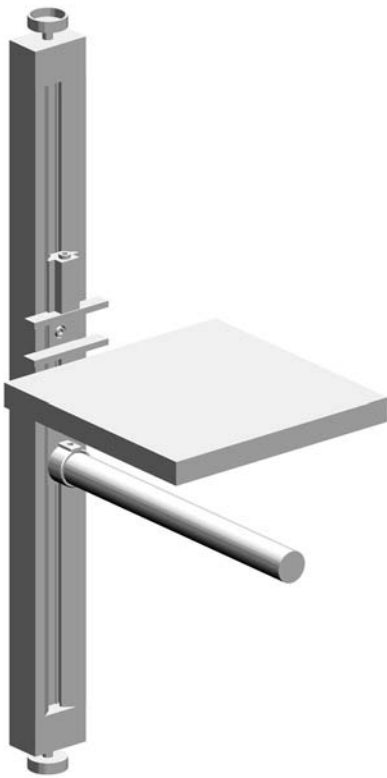
Shelves and drawers: decorative films, impregnated with melamine resin in white, aluminium colour or maple

Posts: aluminium E6 EV1

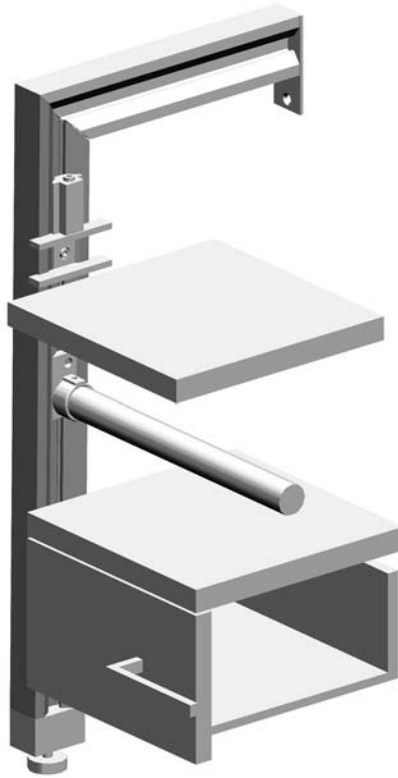
Description of system

The posts can be compressed between the floor and ceiling or be attached to the floor and wall.
In the case of sloping ceilings and walls, it is only possible to attach the posts to the wall.

Drawing: compressed between floor and ceiling



Drawing: wall attachment



The posts can be provided with structural fittings on 3 sides.

The shelves are infinitely positionable in the depth.

The clothes rails are fitted between two posts and are infinitely positionable in the height.

Drawer inserts are designed to be fitted at mid-depth and are infinitely positionable in the height.

Compressed between floor and ceiling
2700 / 3200 mm high

Standard dimensions:

Shelves

W	D	H
465 x	457 x	25 mm
705 x	457 x	25 mm
955 x	457 x	25 mm

465 x	585 x	25 mm
705 x	585 x	25 mm
955 x	585 x	25 mm

Clothes rails \varnothing 25 mm

465 mm / 705 mm / 955 mm

Drawers

W	D	H
465 x	457 x	192 mm
705 x	457 x	192 mm
955 x	457 x	192 mm

465 x	585 x	192 mm
705 x	585 x	192 mm
955 x	585 x	192 mm

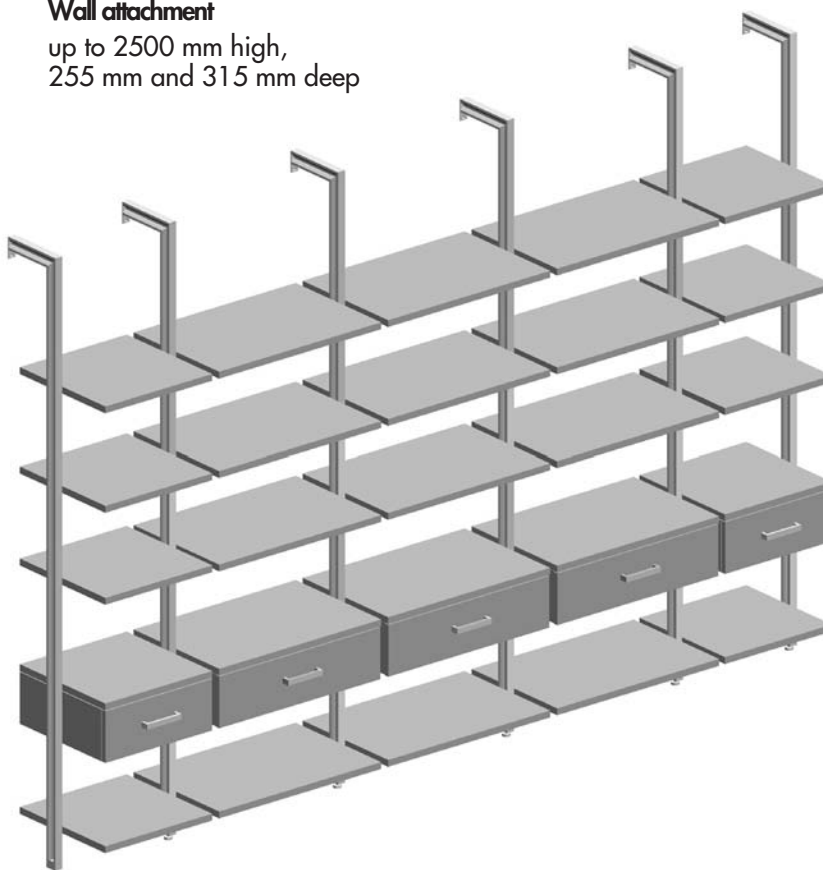
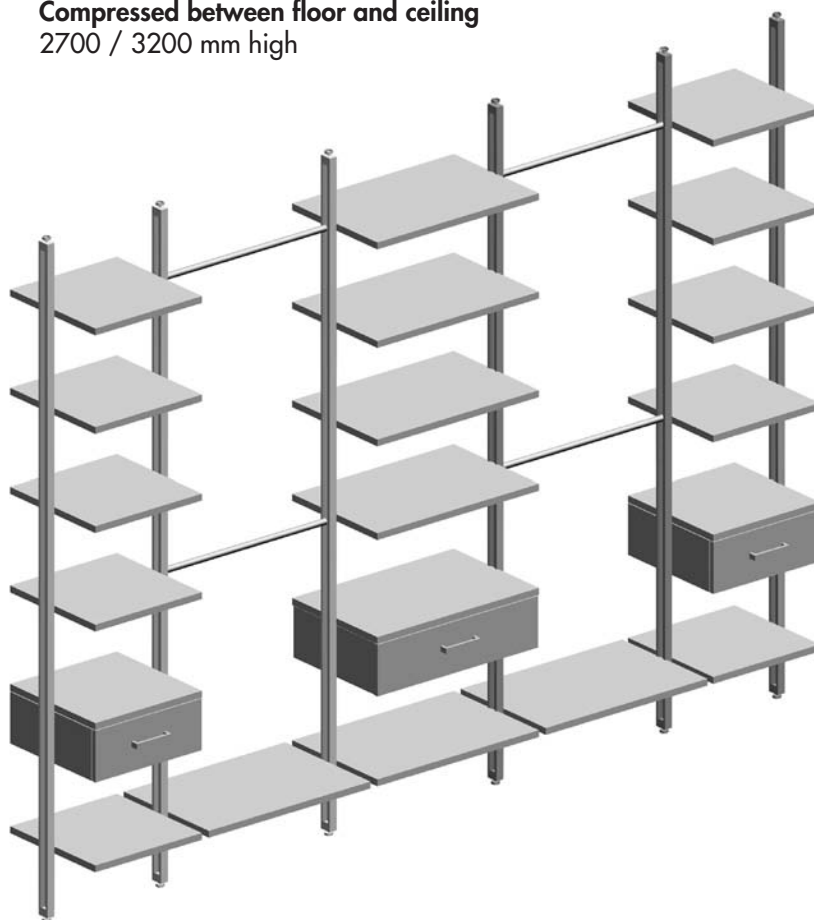
It is possible to mount several drawers one above the other.

Post cross-section

30 mm wide, 48 mm deep

Wall attachment

up to 2500 mm high,
255 mm and 315 mm deep



Further special versions on request.

modul plus components list

Dimensions	Post height	mm	Total width of shelving system	mm		
Version	<input type="checkbox"/>	Compressed between wall and ceiling	<input type="checkbox"/>	Shelf 457 mm		
	<input type="checkbox"/>	Wall attachment	(post depth 255 mm) (for shelf 457 mm)	<input type="checkbox"/>	Shelf 585 mm	
	<input type="checkbox"/>	Wall attachment	(post depth 315 mm) (for shelf 585 mm)			
Note: a post depth of 255 mm is not suitable for clothes rails!						
Surface	<input type="checkbox"/>	Decor, white	<input type="checkbox"/>	Decor, aluminium colour	<input type="checkbox"/>	Decor, maple

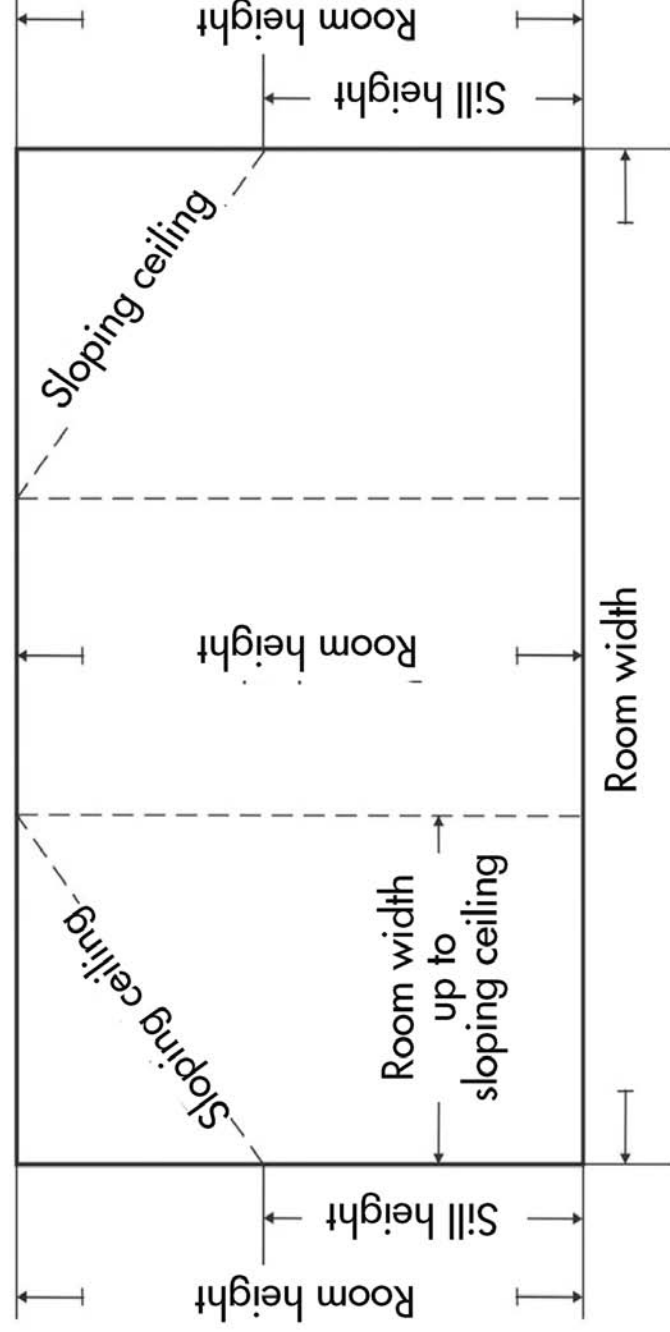
Configuration from left to right

1st element	Clear element width _____ mm Standard widths 465/705/955 mm incl. 30 mm post	Application example _____ (see page 6)	or	Individual components	Qty.
				Shelves	
				Individual drawer	
				Clothes rails	
2nd element	Clear element width _____ mm Standard widths 465/705/955 mm incl. 30 mm post	Application example _____ (see page 6)	or	Individual components	Qty.
				Shelves	
				Individual drawer	
				Clothes rails	
3rd element	Clear element width _____ mm Standard widths 465/705/955 mm incl. 30 mm post	Application example _____ (see page 6)	or	Individual components	Qty.
				Shelves	
				Individual drawer	
				Clothes rails	
4th element	Clear element width _____ mm Standard widths 465/705/955 mm incl. 30 mm post	Application example _____ (see page 6)	or	Individual components	Qty.
				Shelves	
				Individual drawer	
				Clothes rails	
5th element	Clear element width _____ mm Standard widths 465/705/955 mm incl. 30 mm post	Application example _____ (see page 6)	or	Individual components	Qty.
				Shelves	
				Individual drawer	
				Clothes rails	
Total number of 30 mm posts					Qty.

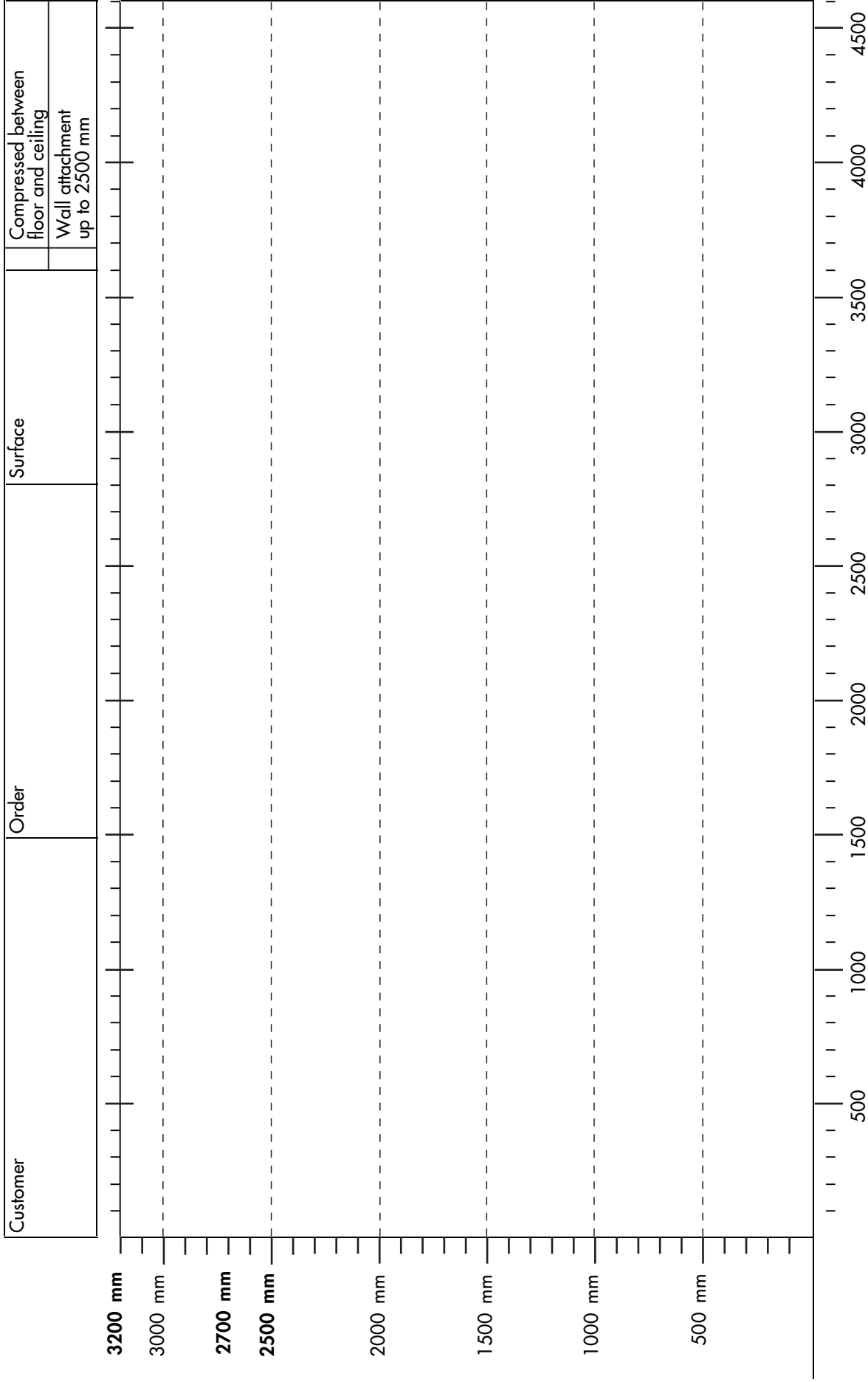
Application examples



For element widths 465 / 705 / 955 mm, depth 585 / 457 mm



modul plus shelving system, post width 30 mm



Infinite vertical positioning of shelves, clothes rails and drawers for 30 mm posts.

When using sliding doors in front of this system, make sure that the drawers can be opened!