

# Installation instructions - swing

two people will be required for the installation of a swing system. The following tools will be needed for the assembly of the sliding door system:

Tape measure, spirit level, percussion drill, 8 mm stone drill, 6 mm stone drill, cross-head screwdriver, 5 mm Allen key, 2 x 10 mm spacers

## Installing the guide rail

- 1 | The guide rail (1) can be attached either below the ceiling or on the front of the wall. 6.5 mm diameter attachment holes are pre-drilled in the guide rail for this purpose at a distance of approx. 50 cm.

### Vertical alignment:

The guide rail (1) must overlap the wall opening by 40 mm on the opposite side to the sliding direction; i.e. if the door opens to the right, the guide rail (1) must overlap the wall opening on the left side by 40 mm.

### Wall installation:

Place the upper edge of the rail at the correct height (upper edge of rail = door height dimension + 86 mm) and mark in the position of the holes to be drilled through the guide rail. Remove the guide rail. Drill the 8 mm plugged holes and insert the plugs.

### Please note:

The masonry should be firm and stable in order to ensure proper seating of the guide rail.

- 2 | Insert the following pieces into the guide rail in the following order: one stopper (3), two runners (4) (with the corrugation to the front), and then a second stopper (3). Repeat this process for each wing running in the rail.

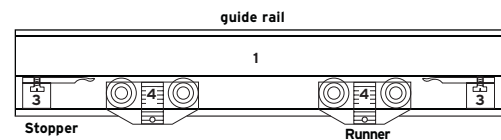
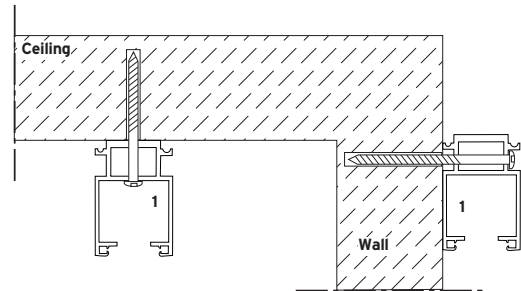
- 3 | Screw the pre-assembled guide rail (1) to the wall or ceiling using the screws supplied.

### Wall installation only:

For several parallel guide rails, repeat the above steps and use the longer screws for wall installation.

### Important!

After inserting screws: remove any swarf and clean the running surfaces.



# Installation of wing

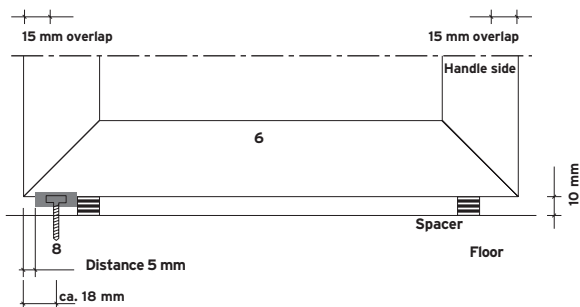
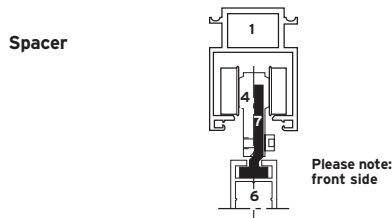
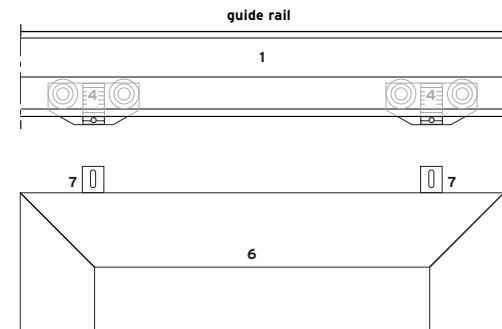
- 4 | Now hold the wing (6) in the guide rail (1) with the flanges (7) on the runner (4). Screw the runners (4) to the flanges (7) using the M5 screws supplied (Allen key).

**Please note:** the offset of the flange (7) must face forward (see section at right).

- 5 | Aligning the wing (6): leave a 15 mm overlap to the opening at the side and to the top. Leave a free space above the floor of 10 mm (using 10 mm thick spacers - not supplied). After adjusting the wing (6), a drilling mark must be made on the floor for the floor guide (8) with the door closed, on the opposite side to the handle and approx. 18 mm in from the outer edge of the wing (6). (If necessary, mark the position of the wing and runner in pencil to avoid having to re-adjust the position.) Now unscrew the wing (6) again from the runner (4) (see step 4) in order to attach the floor guide (8) using the plug supplied.

**Please note:**  
Do not drill any deeper than 3 cm into floors equipped with underfloor heating.

- 6 | Now attach the wing (6) to the runner (4) again (see step 4). After the wing (6) has been hung in place, check the overlap again (15 mm) and adjust if necessary. Check all screw connections for firm seating and remove the spacers. Adjust the stoppers (3) in the guide rails (1) and tighten.



## Installing the covering screen

- 7 | Hang the covering screen (9) into the guide rail (91) at the top and click into place at the bottom.

### Cover caps

Depending on the version installed, the cover caps (10) may still need to be inserted into the ends of the guide rails. Trim the cover caps (10) to the width of the guide rails (1) by snapping them off at the marked positions or cut them with a sharp knife. The broken edge may need to be smoothed off using fine sandpaper (deburr).

