

# assembly instruction

## modul plus storage system

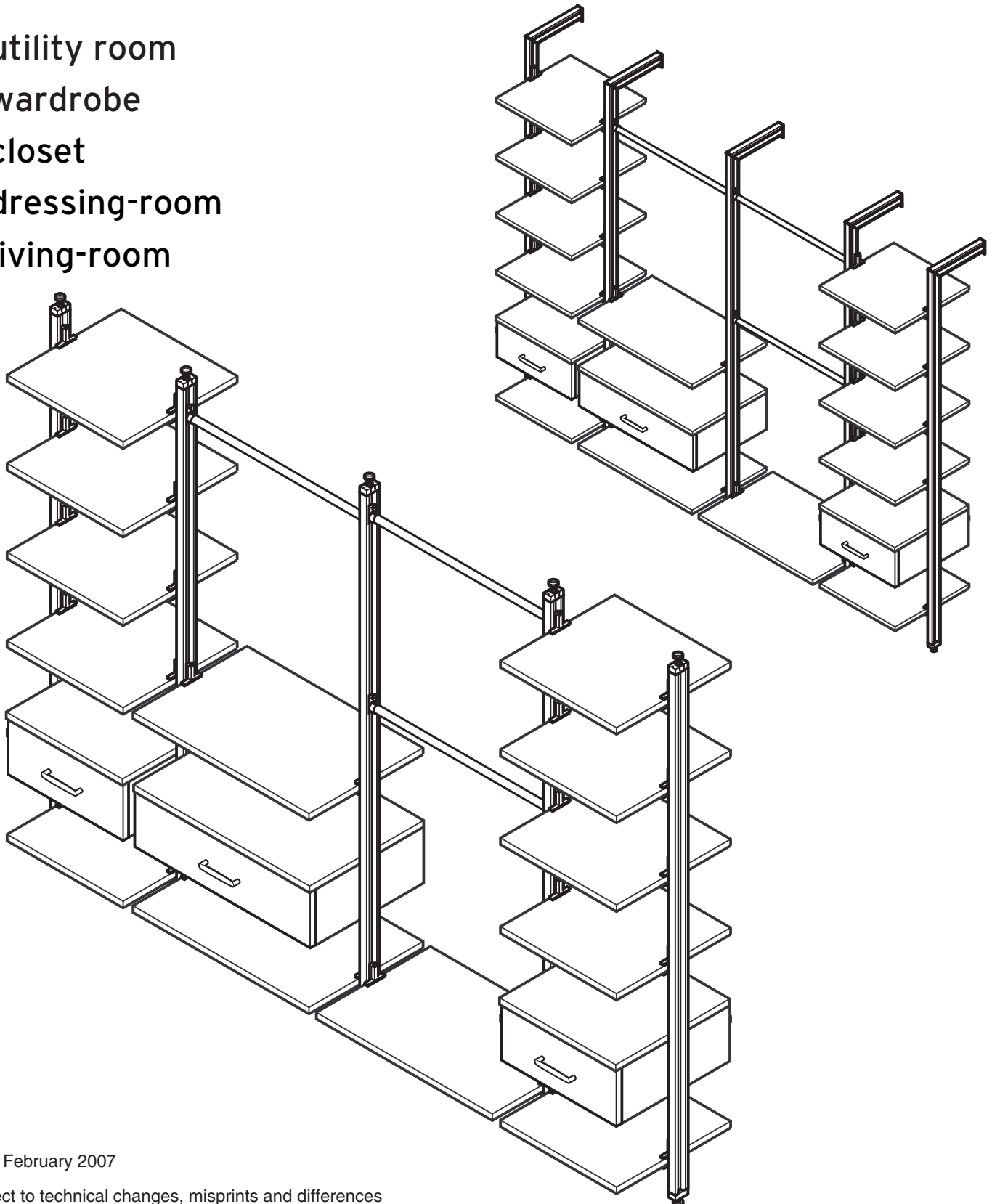
utility room

wardrobe

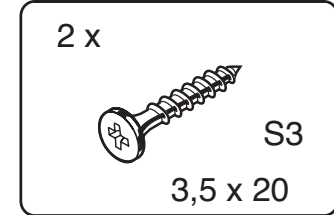
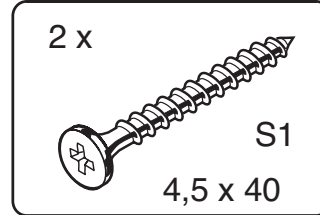
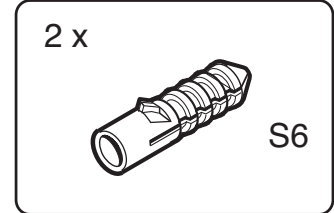
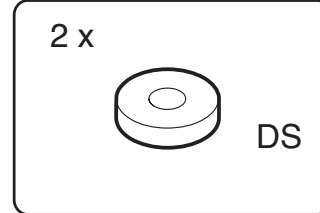
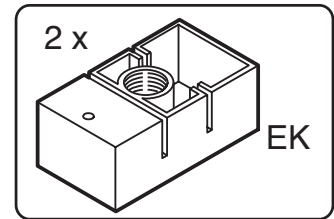
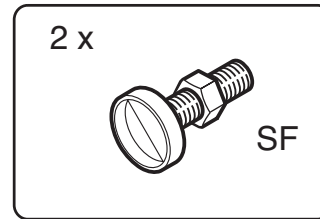
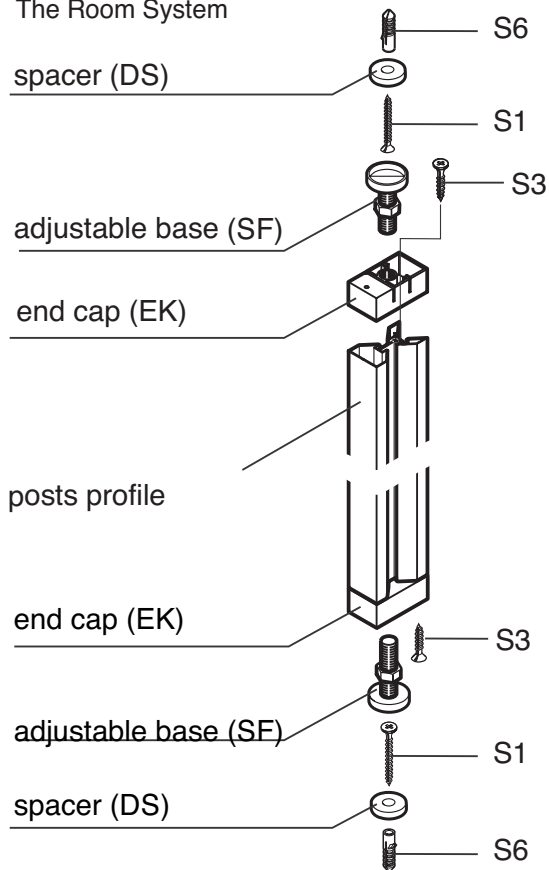
closet

dressing-room

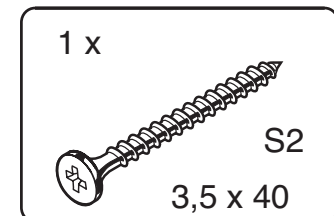
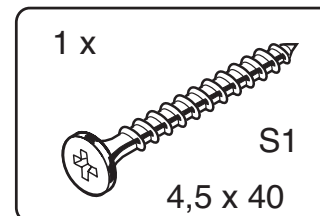
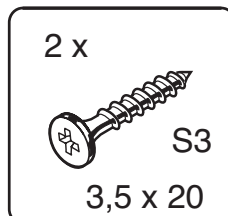
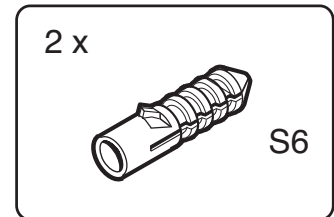
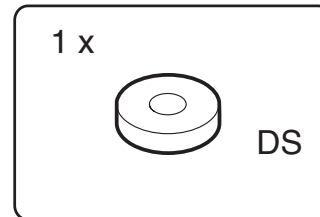
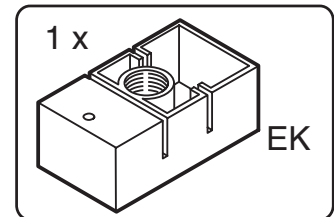
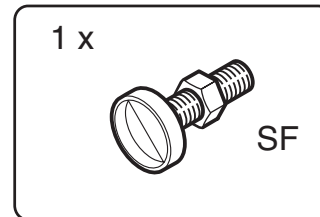
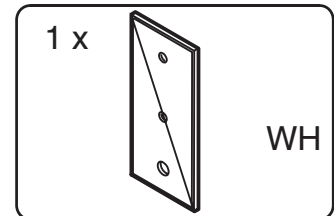
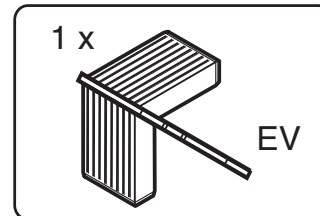
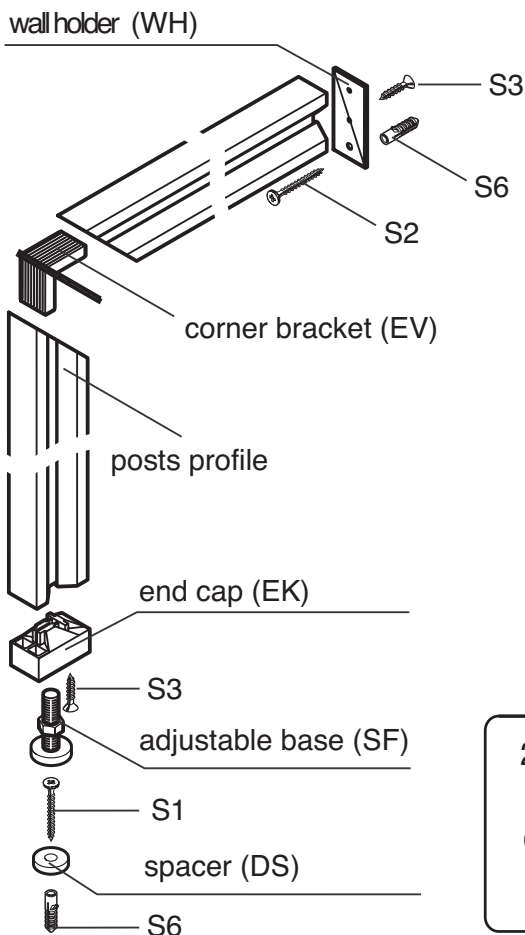
living-room



**rack system fixed between floor and ceiling**

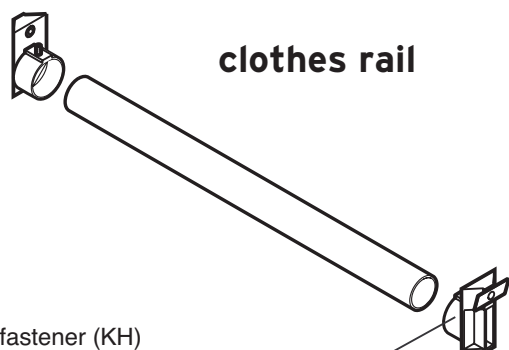


**rack system attached to the wall**



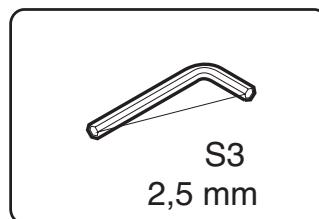
## rack system fixed between floor and ceiling

## rack system attached to the wall

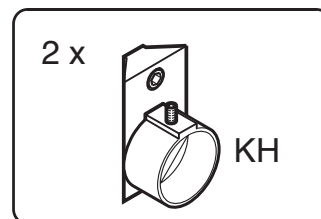


clothes rail

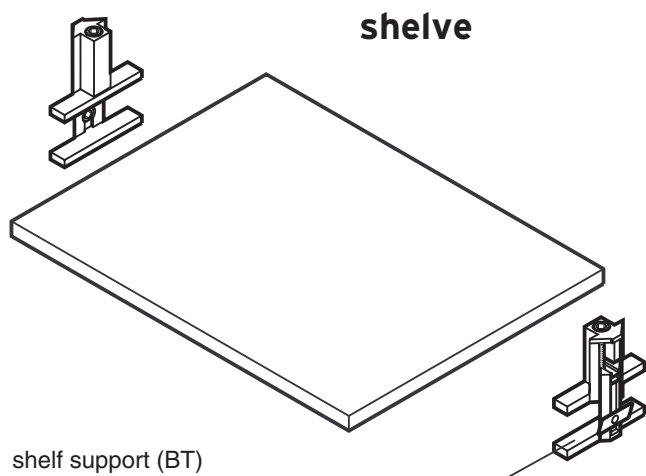
clothes rail fastener (KH)



S3  
2,5 mm

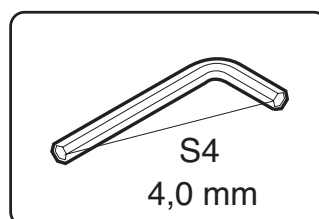


2 x KH

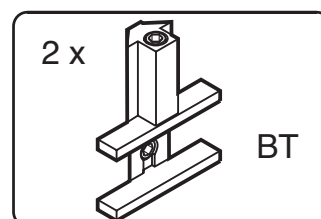


shelf

shelf support (BT)

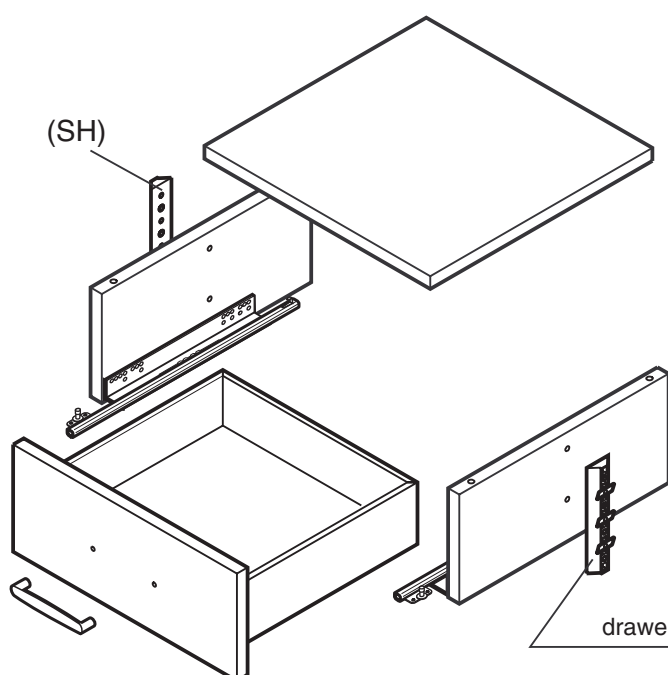


S4  
4,0 mm



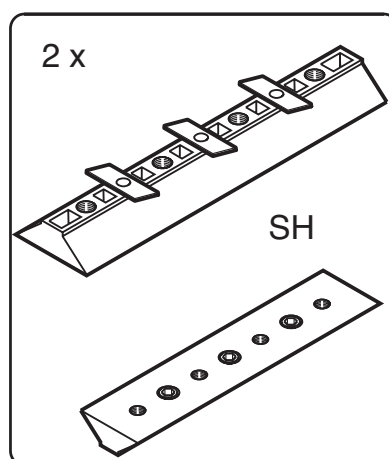
2 x BT

## single drawer

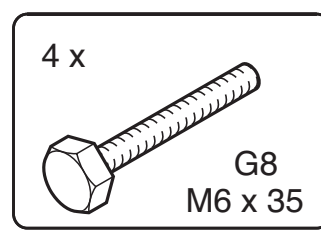


(SH)

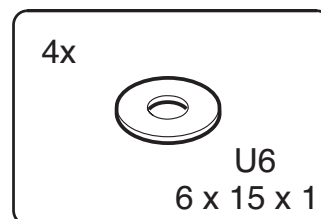
drawer bracket (SH)



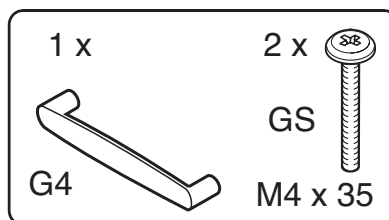
2 x SH



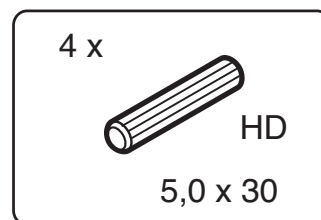
4 x G8  
M6 x 35



4 x U6  
6 x 15 x 1



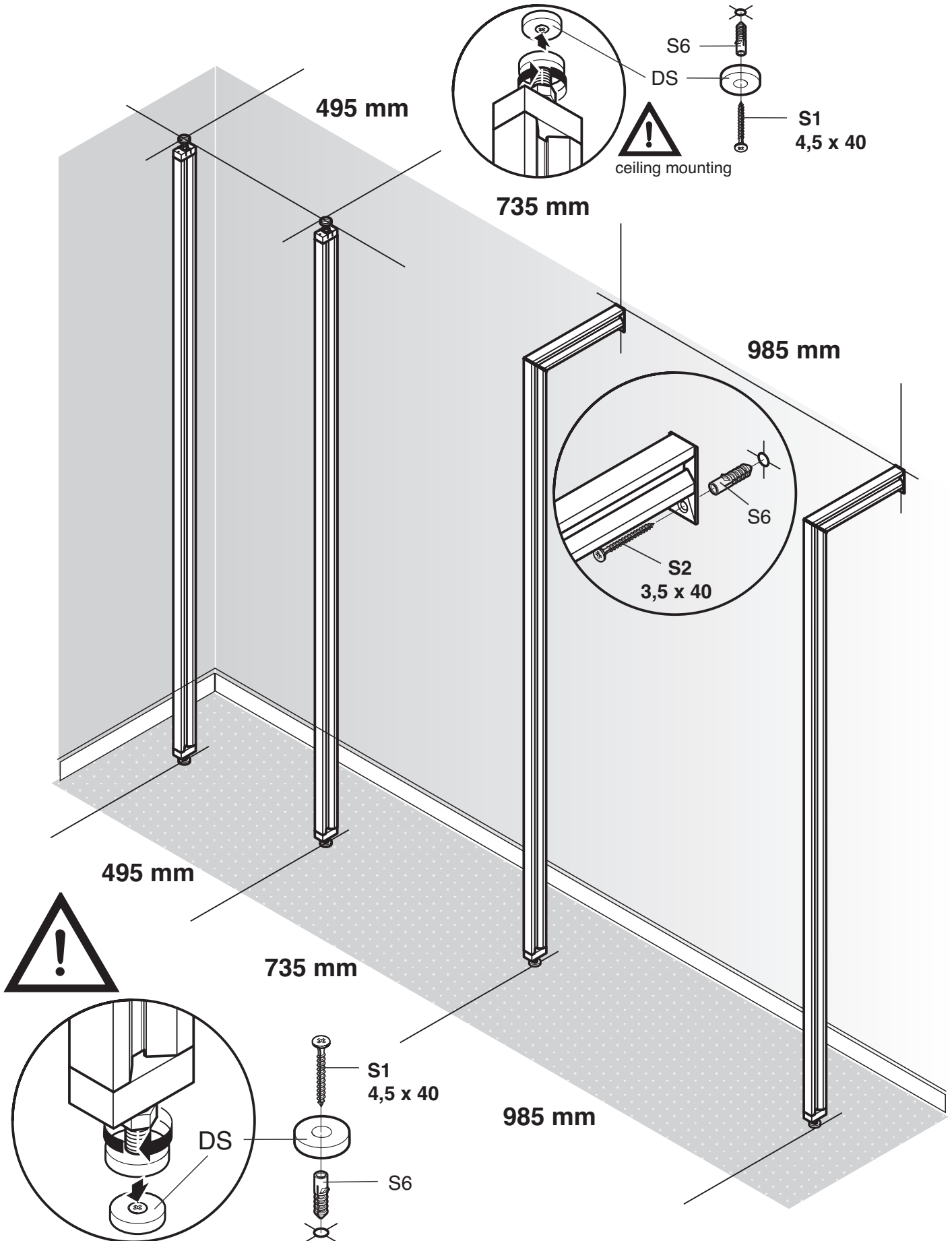
1 x G4  
2 x GS  
M4 x 35



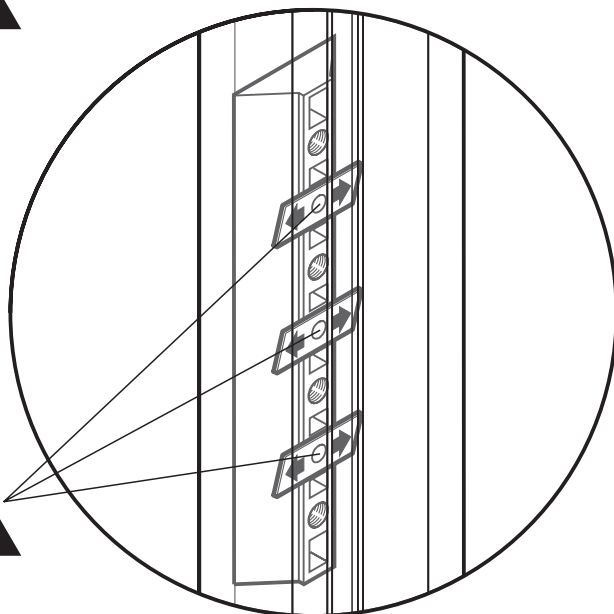
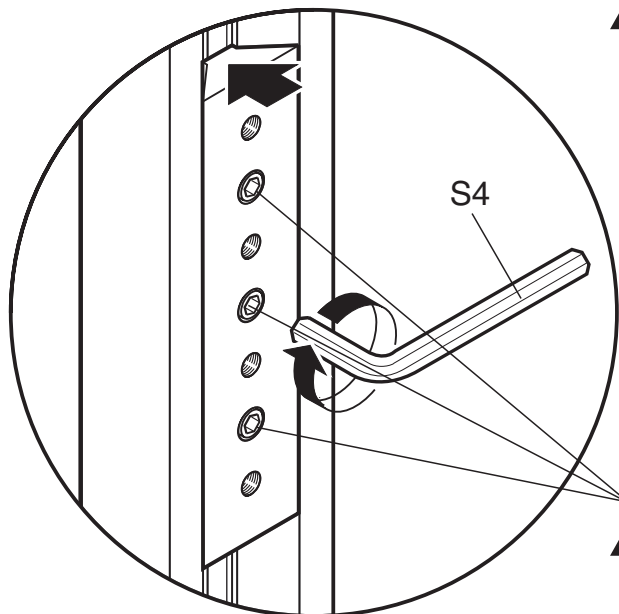
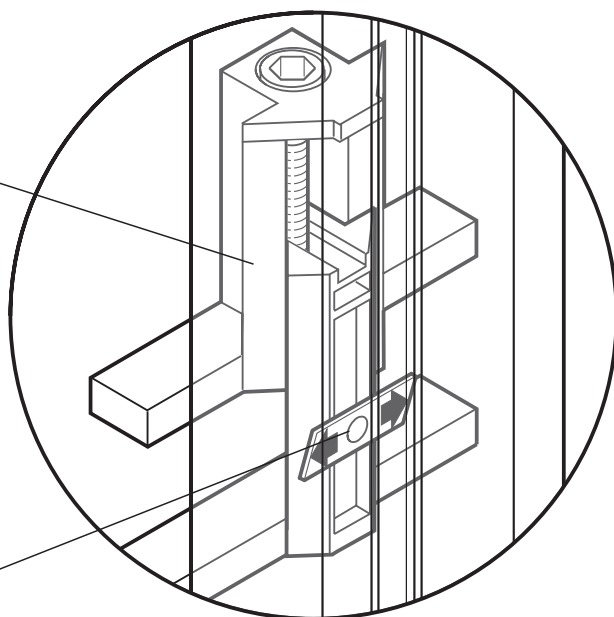
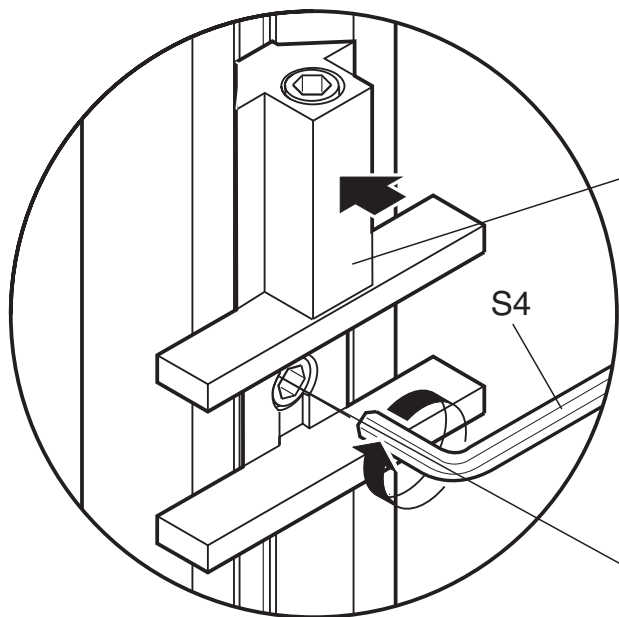
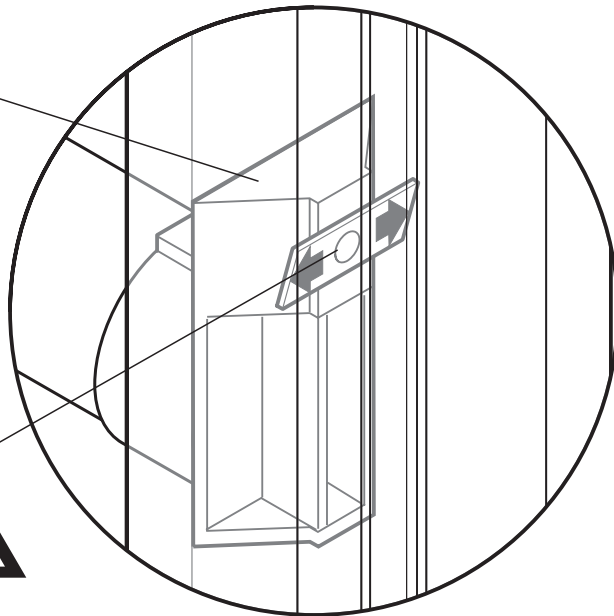
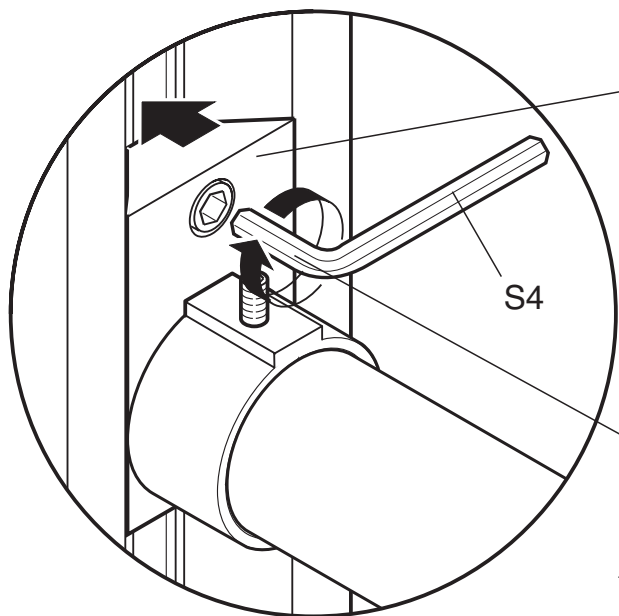
4 x HD  
5,0 x 30

**posts profiles**

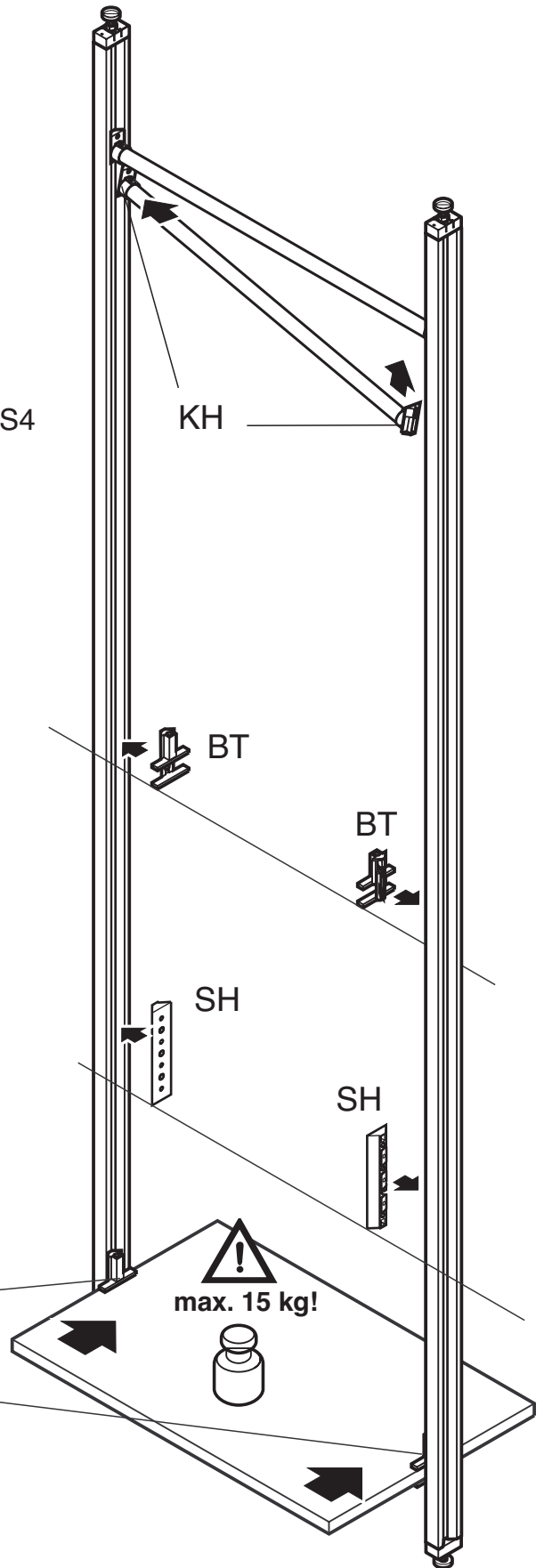
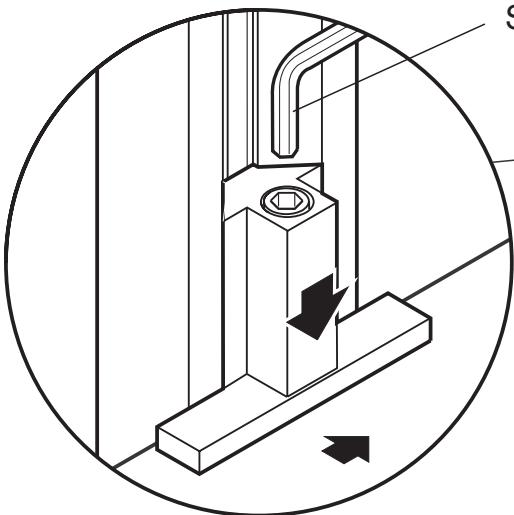
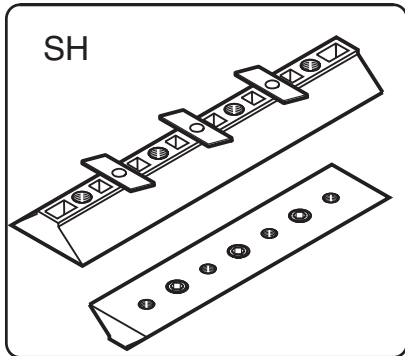
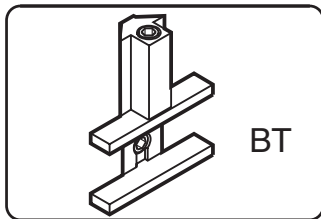
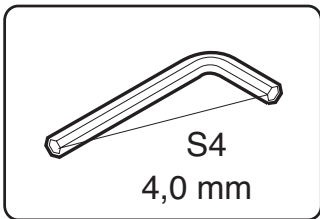
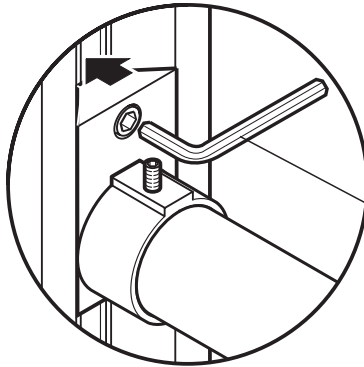
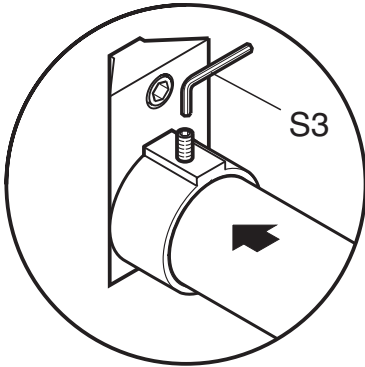
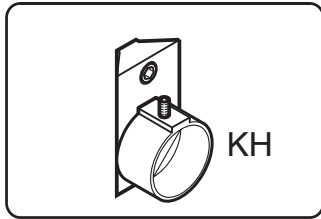
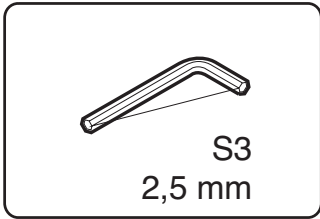
**assembly from the left to the right side**  
**clear standard widths 465 / 705 / 955 mm**  
**plus posts 30 mm**



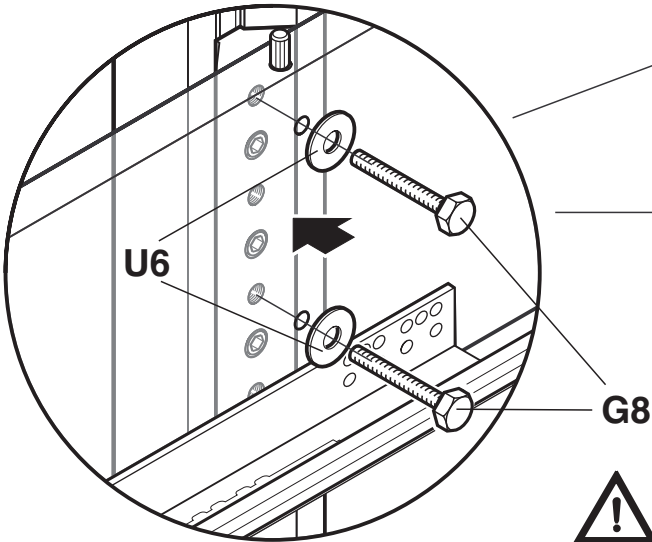
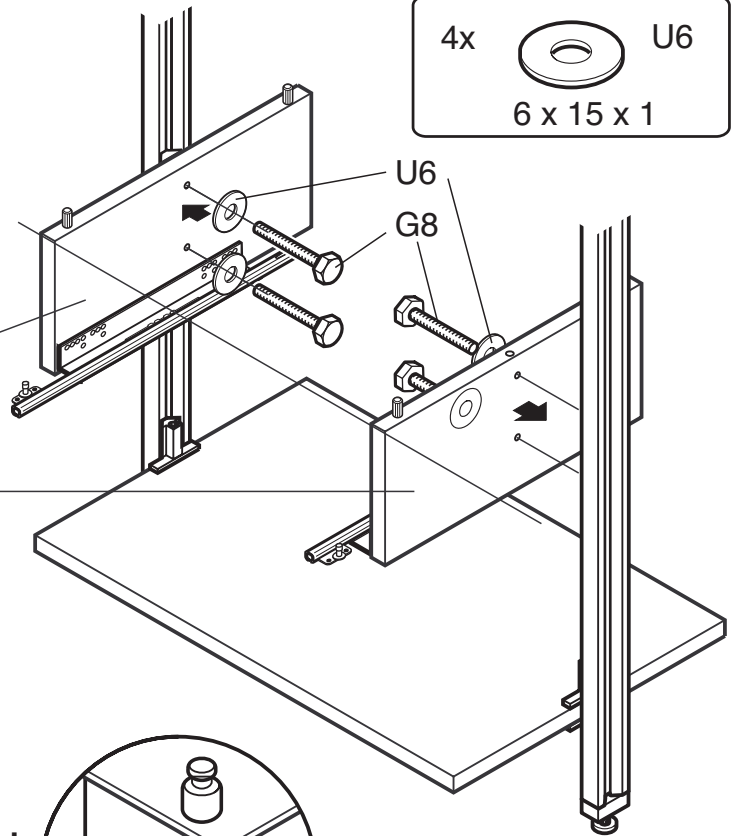
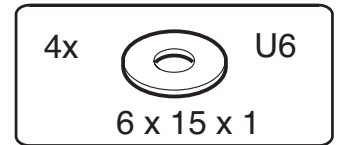
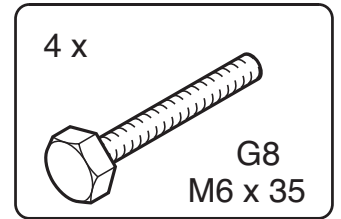
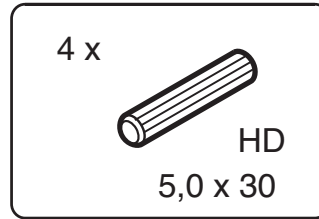
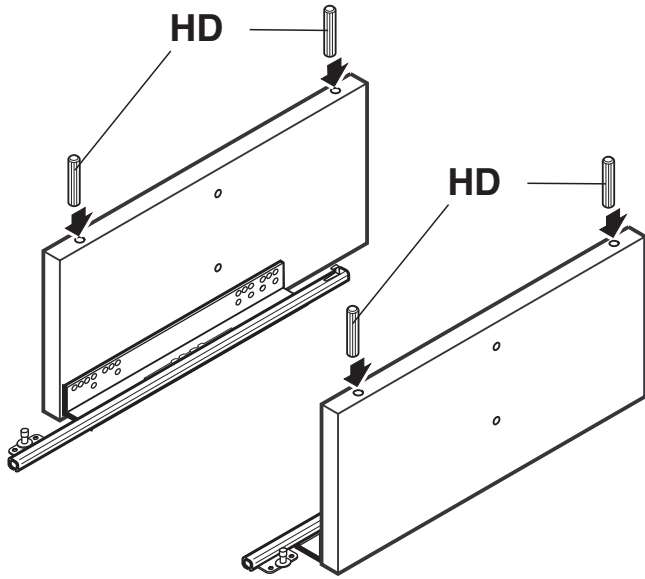
rack system fixed between floor and ceiling  
rack system attached to the wall



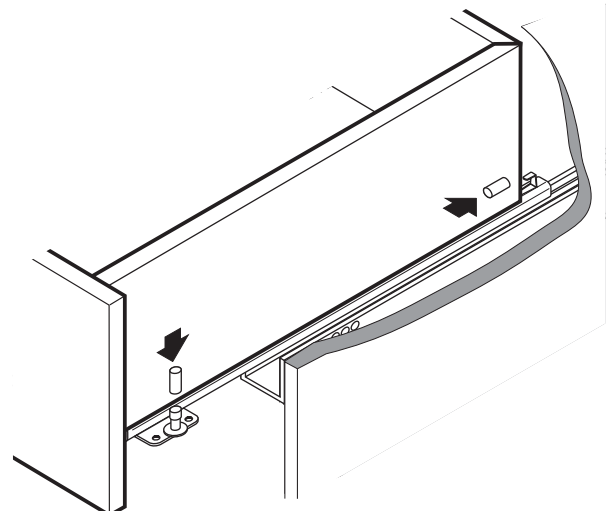
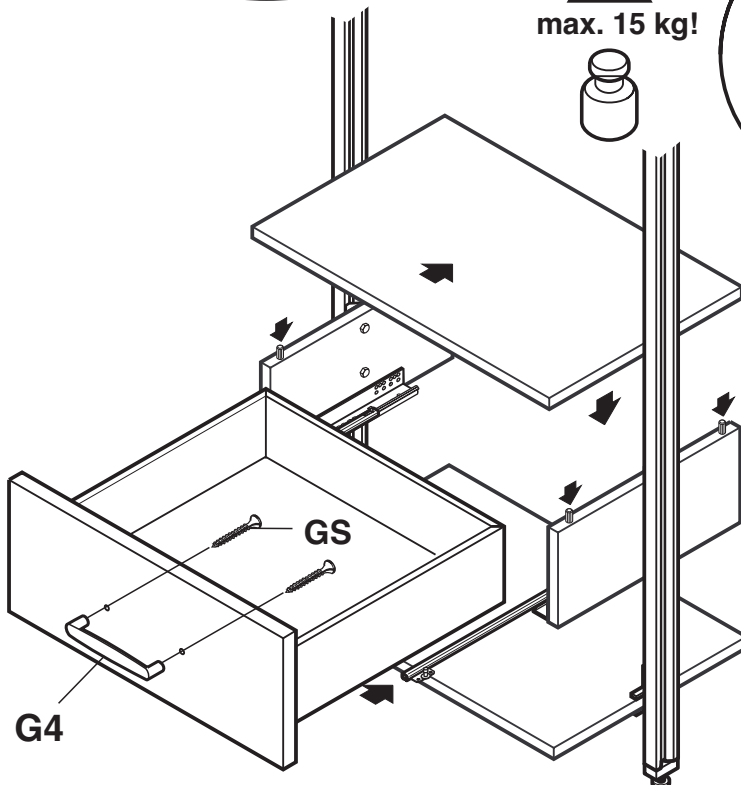
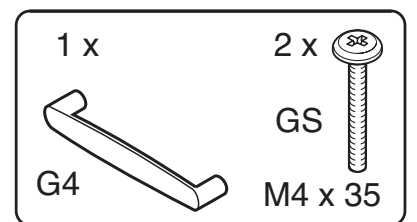
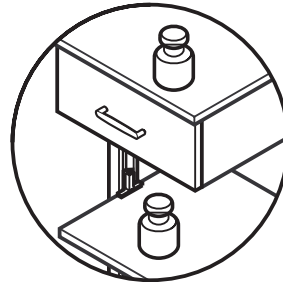
**rack system fixed between floor and ceiling**  
**rack system mounted to the wall**

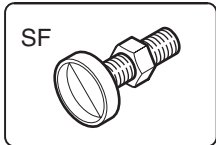


rack system fixed between floor and ceiling  
 rack system attached to the wall



  
 max. 15 kg!

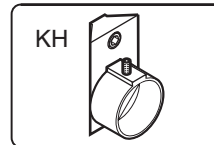




SF

adjustable base

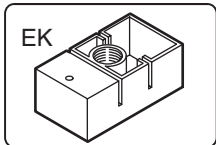
article no. 9251Z06250



KH

clothes rail fastener

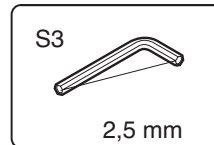
article no. 9251Z06110



EK

end cap

article no. 9251Z06210

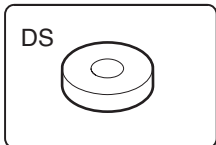


S3

Allen key  
(to fix the clothes rail fastener)

article no. 9891E06250

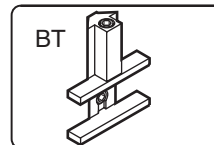
2,5 mm



DS

spacer for adjustable base

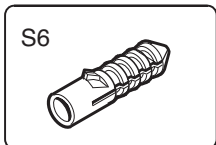
article no. 9150K04250



BT

shelf support

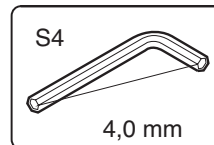
article no. 9251Z06150



S6

rawplug (BE)  
anchor (AE)

article no. 9141K02061

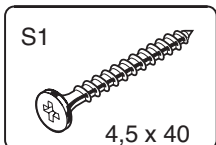


S4

Allen key  
(to fix shelves and drawers)

article no. 9861E06400

4,0 mm

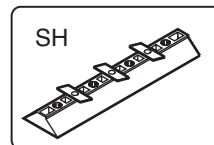


S1

screw (bottom and wall attachment)

article no. 9111E09440

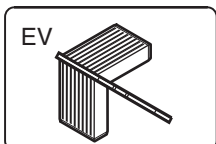
4,5 x 40



SH

drawer bracket

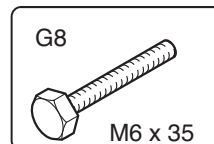
article no. 9251Z06400



EV

corner bracket

article no. 9251Z06300



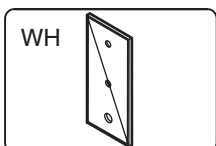
G8

screw

(to fix drawers)

article no. 9128E09635

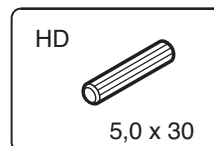
M6 x 35



WH

wall holder

article no. 9251Z06350

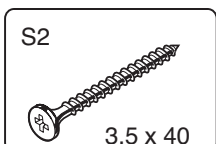


HD

dowel  
(to fix top cover to drawers)

article no. 9141H00500

5,0 x 30

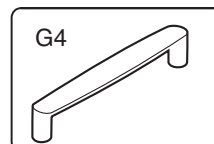


S2

screw  
(wall attachment)

article no. 9111E09341

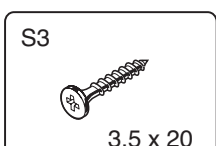
3,5 x 40



G4

handle handhold

article no. 9311A07610

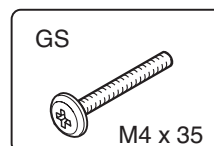


S3

screw  
(to screw the end cap)

article no. 9111E09330

3,5 x 20

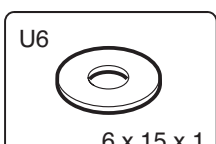


GS

screw  
(to screw handles on drawers)

article no. 9122E09450

M4 x 35



U6

grommet  
(to fix the drawers)

article no. 9150E09060

6 x 15 x 1