

## assembly instruction inside

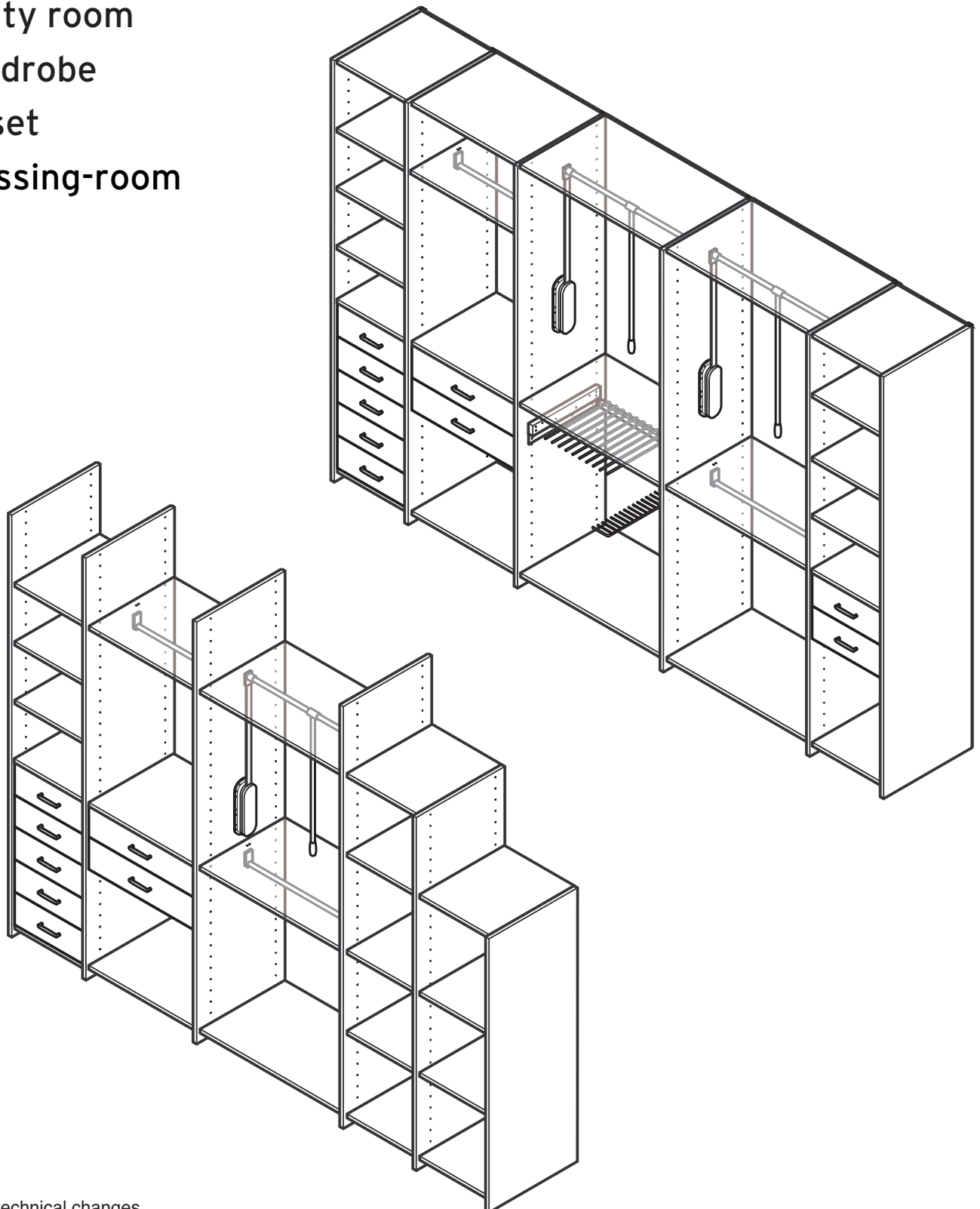
### storage system

utility room

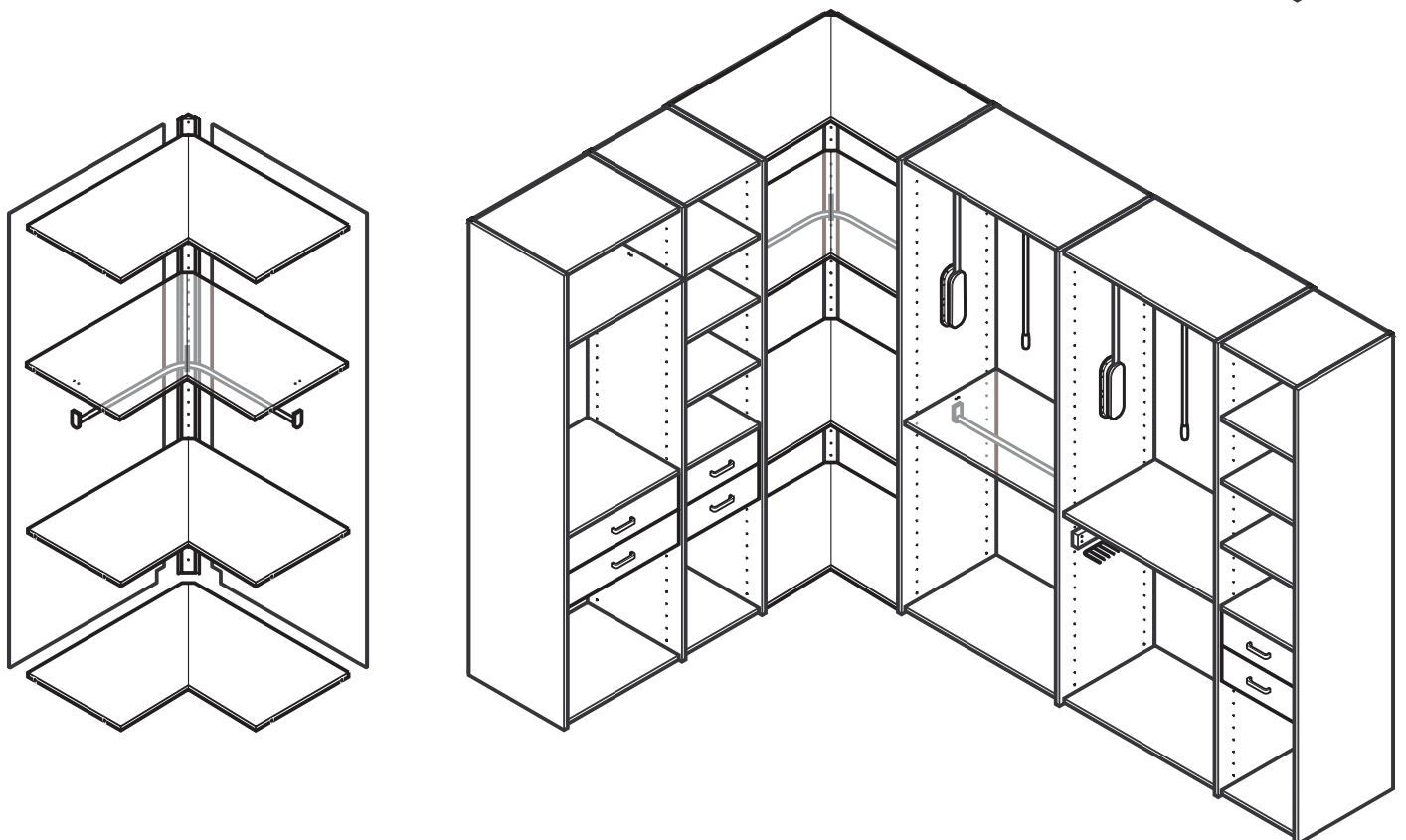
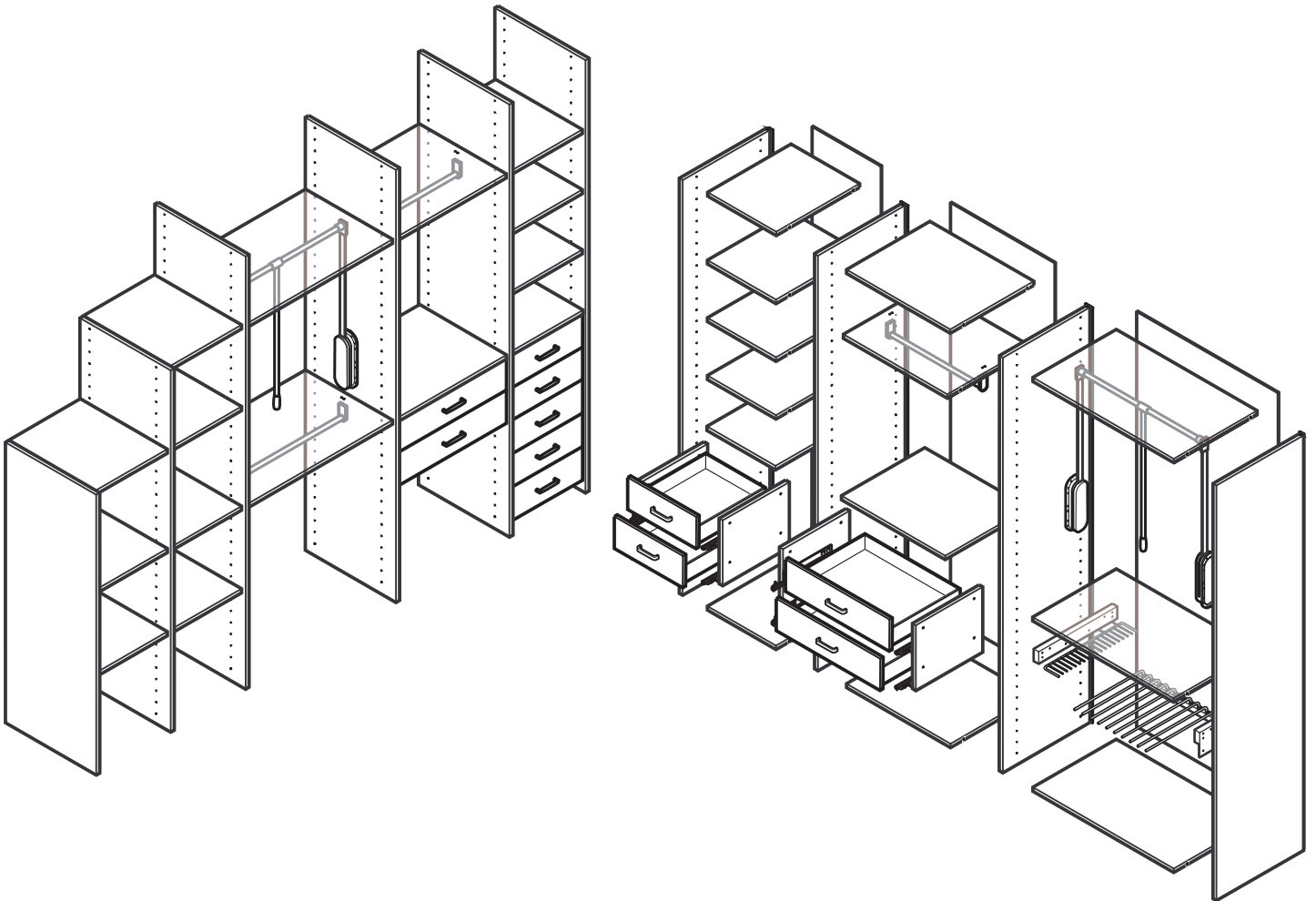
wardrobe

closet

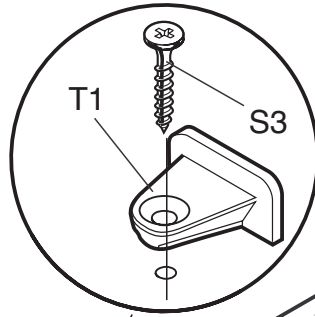
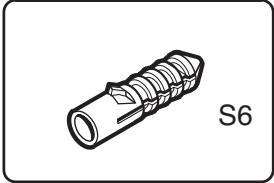
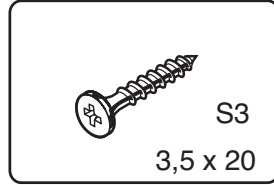
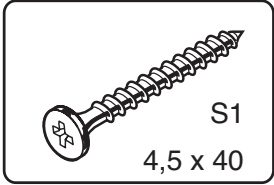
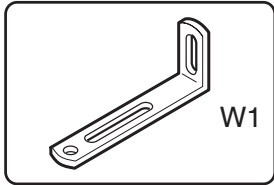
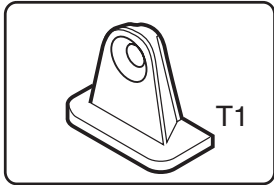
dressing-room



# inside storage system



# inside storage system - sides

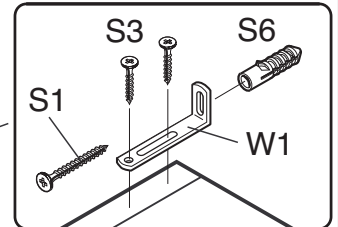


1)

on top



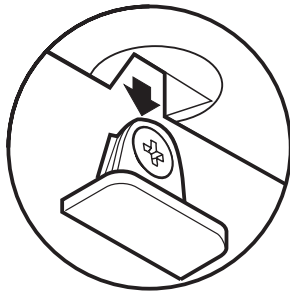
storage system without back panels



2)

on top

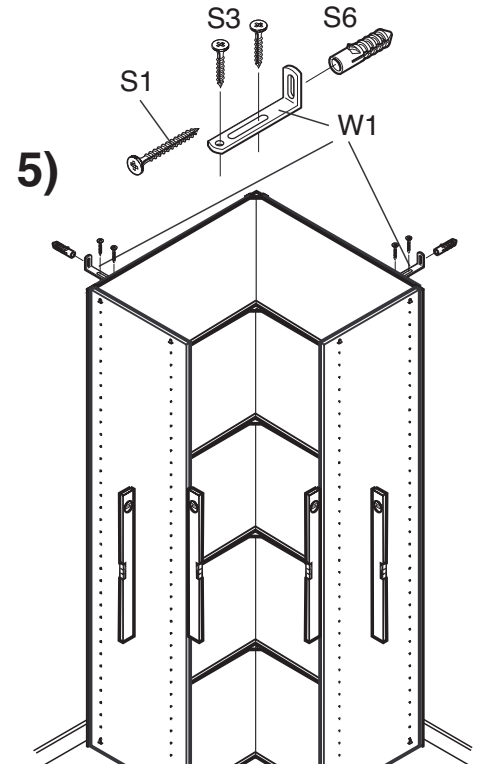
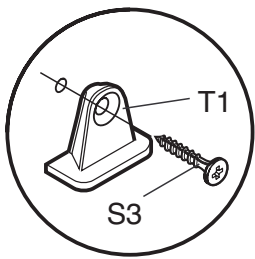
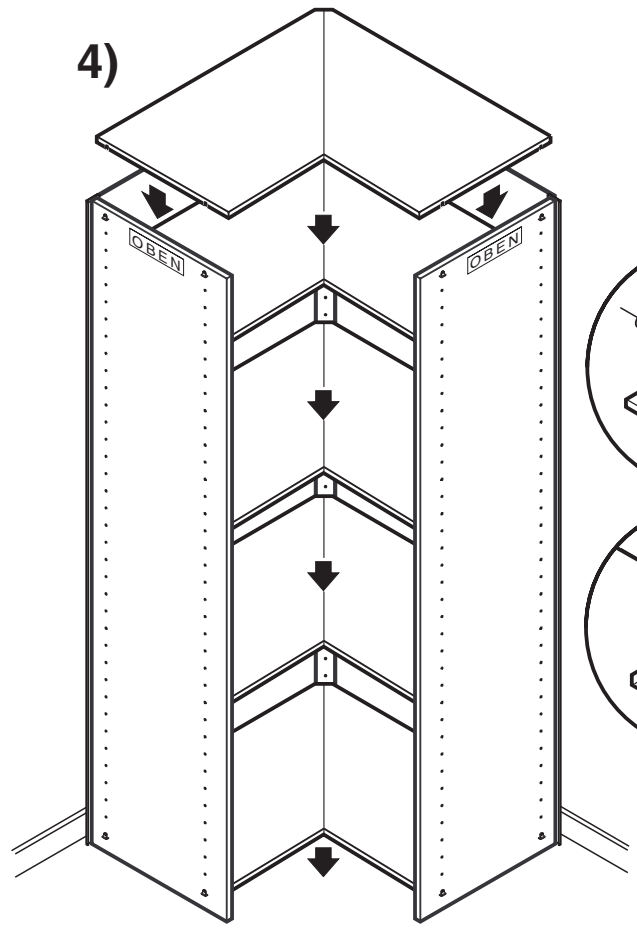
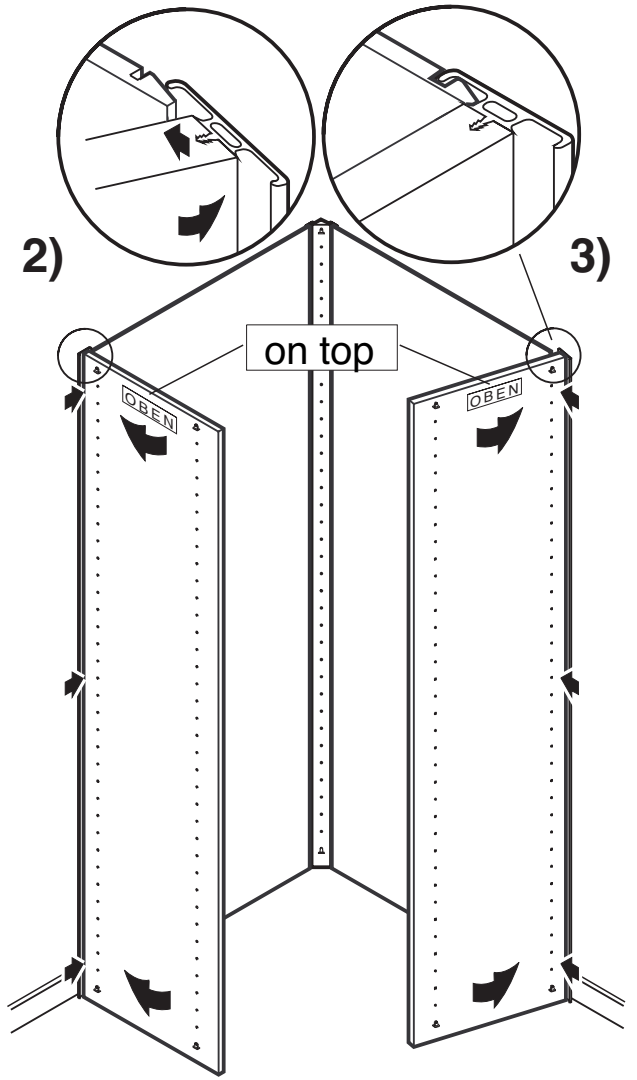
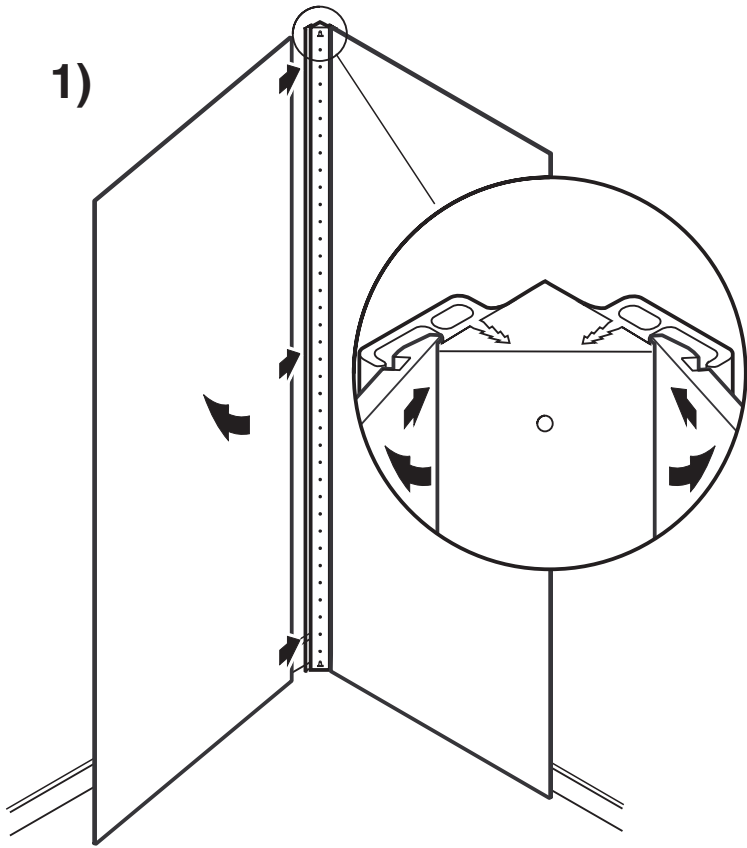
3)

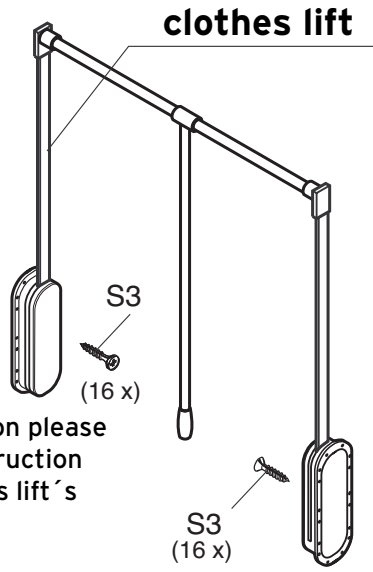
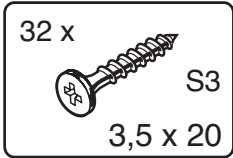


if necessary underlay with something

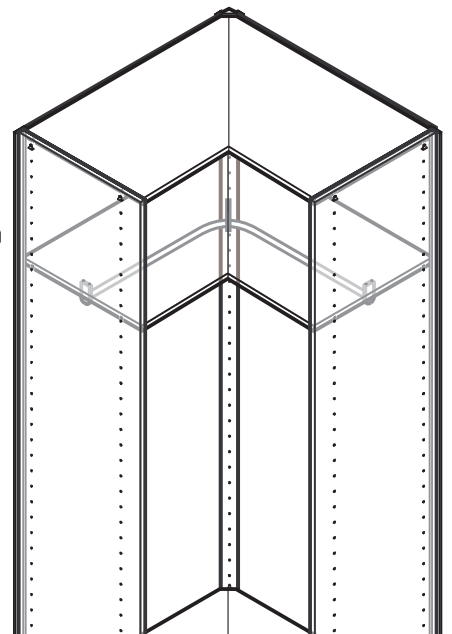
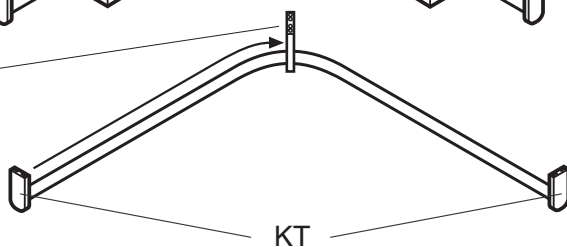
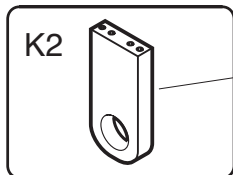
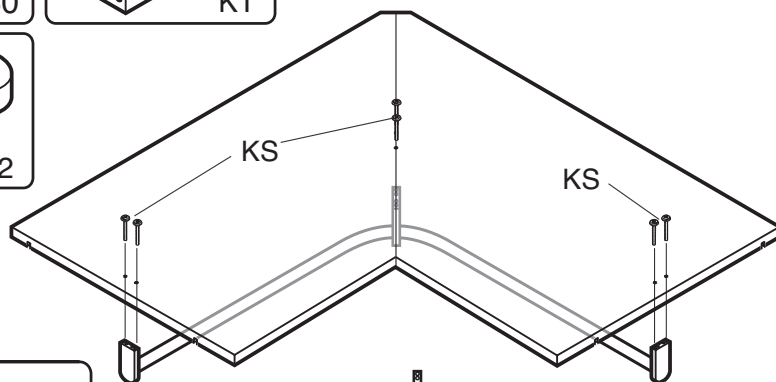
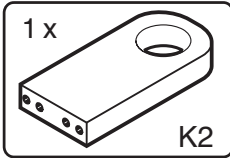
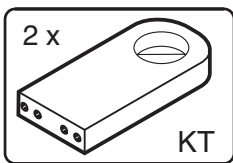
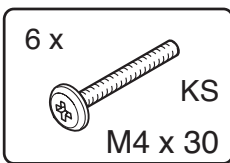
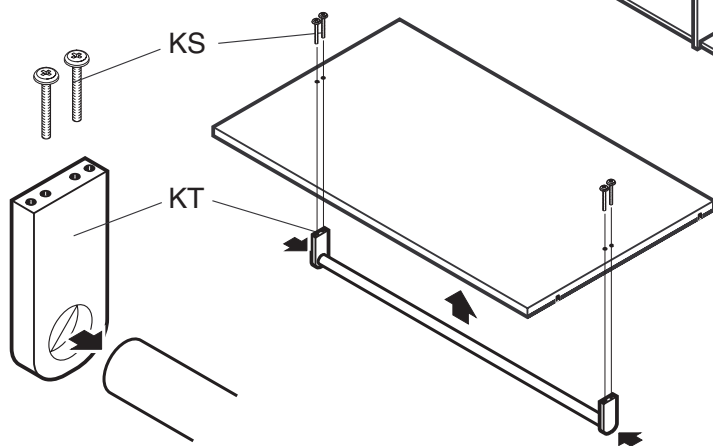
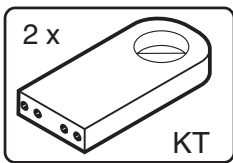
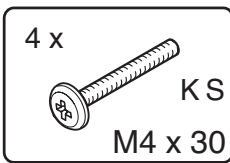
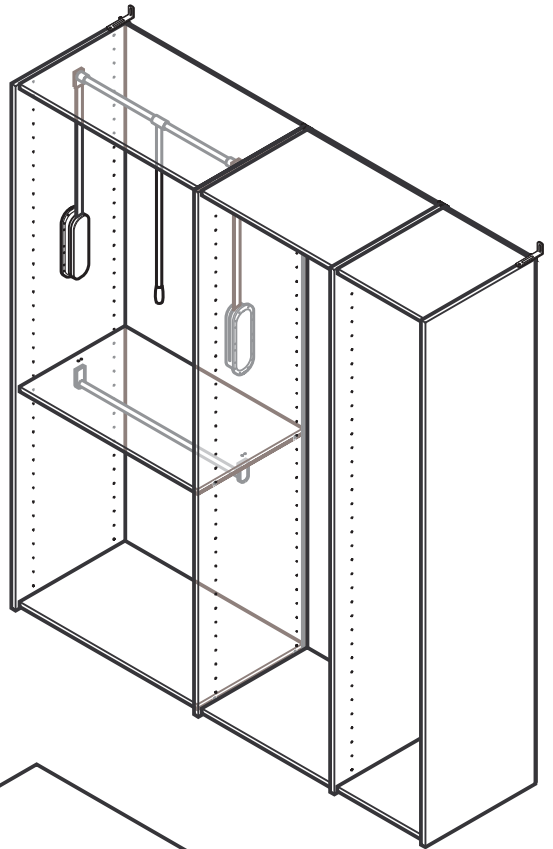


inside storage system - corner element  
assembly form the left to the right





For detailed information please have a look at the instruction attached to the clothes lift's packing piece.

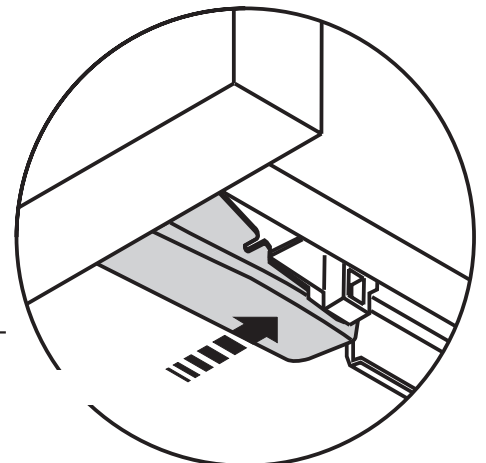
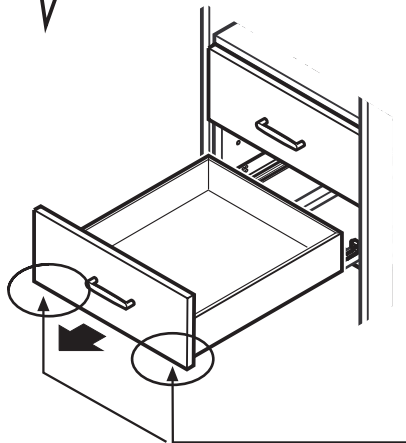
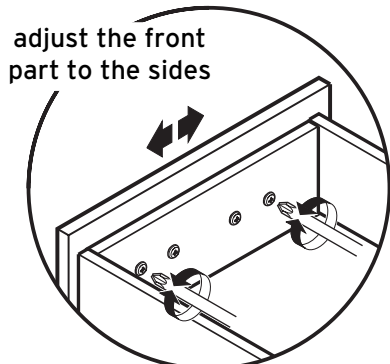
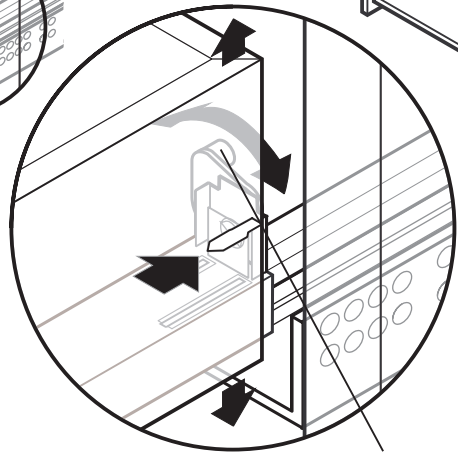
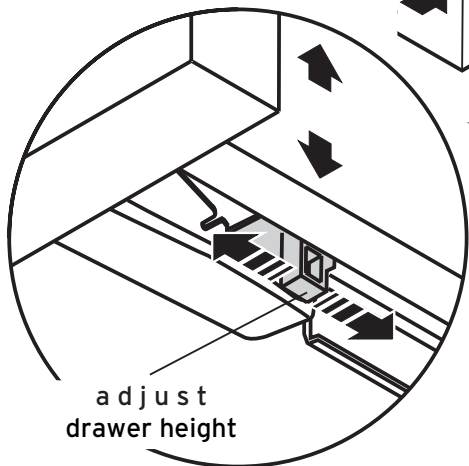
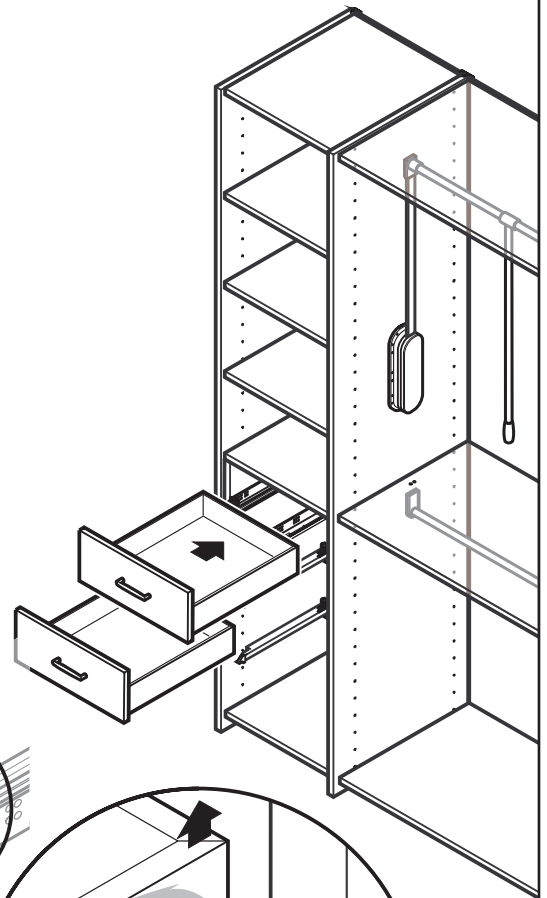
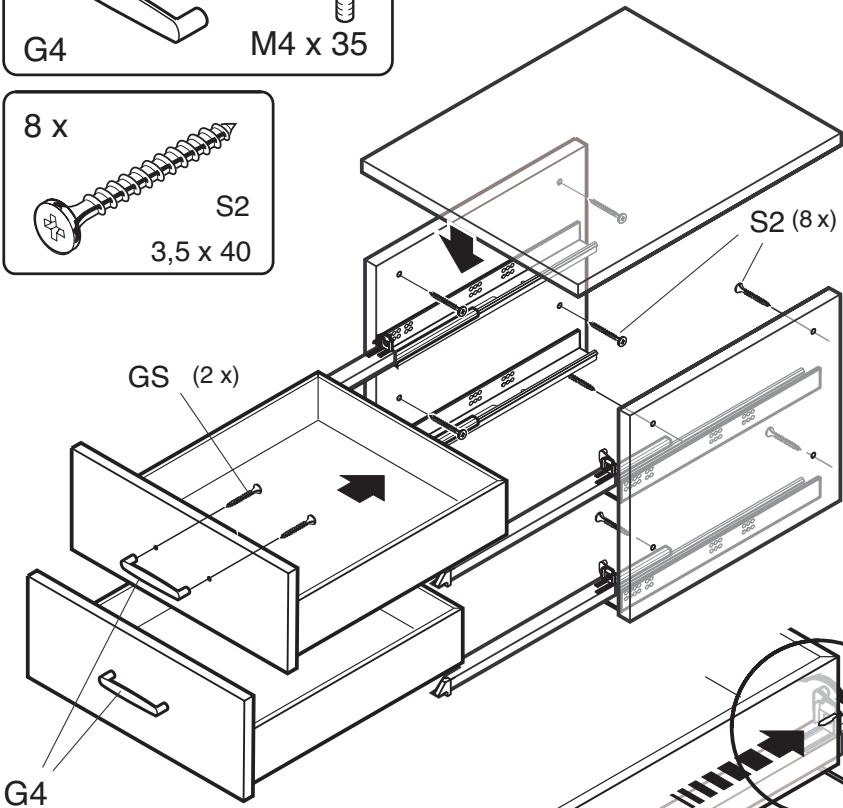


# inside storage system - drawers

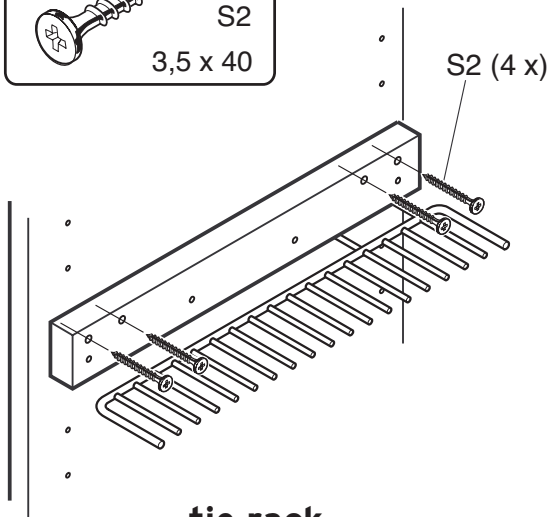
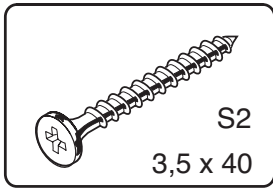
2 x  
G4

4 x  
GS  
M4 x 35

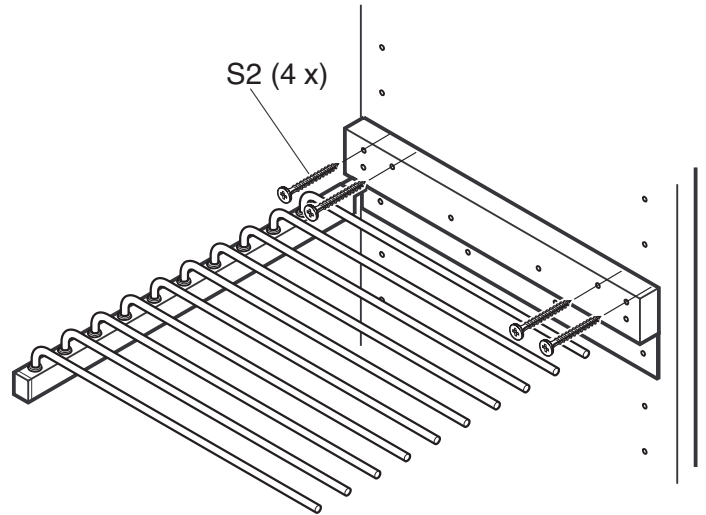
8 x  
S2  
3,5 x 40



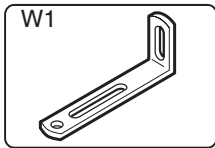
**ONLY when removing the drawer!**



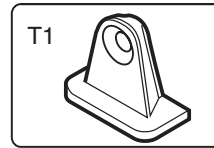
**tie rack**



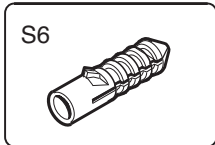
**trouser rack**



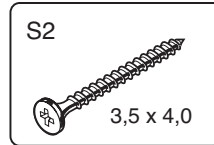
bracket  
(wall attachment)  
article no. 9 17 1 K 0 2 1 2 0 0



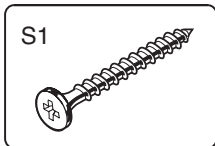
shelves fastener  
article no. 9191Z061000



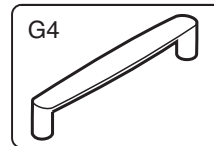
rawlplug (BE) / anchor (AE)  
article no. 9141K02061



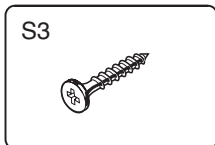
screw  
(to assemble the drawer sides)  
Art.-Nr. 9111E09341



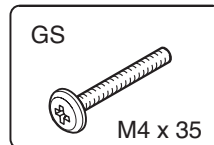
screw  
(wall attachment)  
article no. 9111E09440 4,5 x 40



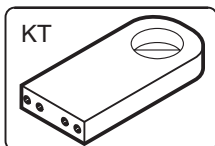
drawer handhold  
article no. 9311A07610



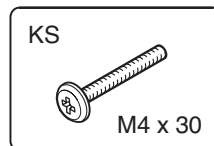
screw  
(to fix the shelves fastener and brackets)



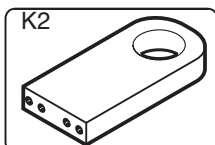
screw  
(to fix the drawer handhold)  
article no. 9122E09450



clothes rail holder  
(closed on the side)  
article no. 9251Z06120



screw  
(clothes rail holder )  
article no. 9122E06430



clothes rail holder for  
corners (end-to-end drill)  
article no. 9251Z06130